



**LSP**<sup>TM</sup>

Legacy of  
**INNOVATION**

### Mission Statement

*Helping families realize the American Dream by delivering innovative plumbing solutions.*

## COMPANY HISTORY / A LEGACY OF INNOVATION

LSP was founded by plumbers over 40 years ago with a focus on unparalleled innovation, superior product quality, and best-in-class service to the plumbing industry. Since its beginning as Specialty Products, LSP has continued to lead plumbing products innovation with inventions like the stainless steel braided flex connector, UltraCore, the Pull Stop Box™, One Stop Box™ and the Flex Arrester™. Our primary focus is the new construction market where we develop products that make installations easy and provide significant savings to the plumbing/mechanical contractor.

## BACKGROUND / OPERATIONS

LSP is owned by NCH Corporation (NCH), a family-owned corporation based in Irving, Texas. NCH has been owned by the same family for over 100 years which provides significant stability and longevity to LSP. LSP has two manufacturing facilities located in Carson City, Nevada, and Monterey, Mexico. LSP also has two Distribution Centers located in Carson City, Nevada (servicing the West/Rockies), and Dallas, Texas (servicing the Central and Eastern U.S.).



## COMPANY TODAY

While plumbing practices and products have changed over the last 40+ years, LSP's focus on designing and manufacturing innovative products remains steadfast. LSP concentrates its efforts on making a plumber's job simpler, easier, and faster. Our products not only reduce installation time and labor, but are also built to the highest quality standards and come with unmatched customer support and service.



Today, LSP consists of the following product divisions:

- **Specialty Products** – outlet boxes, tub boxes, clamps, test caps, hangers, AAVs, pipe secure brackets, copper stubouts, hammer arresters, tub protectors, water heater pans, foam wrap, and much more.
- **Aqua-Flo®** – a full line of braided, vinyl, and corrugated connectors and stops and LSP's innovative Pull Stop Box™.
- **Insulation** – polyethylene foam insulation.
- **Tech Specialties® / Frank Pattern** – a broad line of roof drains, floor drains, shower drains, closet flanges, and access covers.
- **Rapid-Fit®** – bath waste and overflow assemblies with designer finishes.

**BUY NORTH AMERICAN**

LSP proudly supports the USMCA (United States-Mexico-Canada Agreement) a free trade agreement between Canada, Mexico, and the United States. USMCA will support mutually beneficial trade leading to freer markets, fairer trade, and robust economic growth in North America.

LSP has a manufacturing facility located in Monterrey, Mexico and two distribution centers located in Carson City, Nevada and Dallas, Texas. We do everything possible to manufacture and source our products within North America and are proud to offer many North American-made products. You can easily locate North American-made products throughout the catalog by looking for the statement "Made in North America" below product listings.

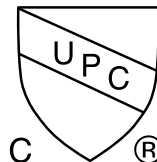


**BUY NORTH AMERICAN/ AGENCY LISTINGS**

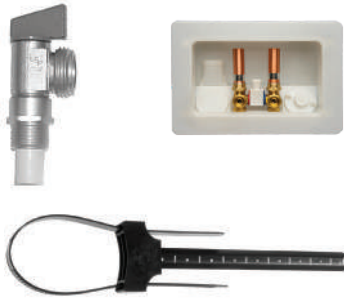
**AGENCY LISTINGS**

NSF/ANSI 61

Lead Free



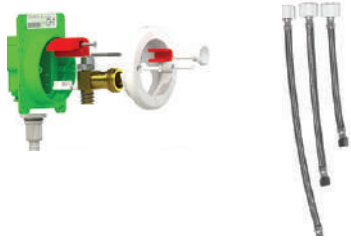
LSP also works with state and city municipalities on product listing, please contact customer service for more specific information or compliance requirements.



## Specialty Products

One Stop Boxes™, Kahuna Outlet Boxes, Switch Hitter Outlet Boxes, Firestop Outlet Boxes, Metal Outlet Boxes, Outlet Box Valves, Ice Maker Outlet Boxes, Utility Boxes, Gas Outlet Boxes, Mini Hammer Arresters, Outlet Box Faceplates, Durgo Air Admittance Valves, Pipesecure™ Brackets & Accessories, Hycos Straps, Pipe Brackets, Stub Outs, Flexi-Fin Clamps, Acousto® Clamps, Acousto® Kits & Pipe Supports, Groundwork Items, Test Caps & Plugs, Access Panels, Foam Spacers & Wrap, Organizational Trays, Water Heater & Washing Machine Pans, Tub Protectors

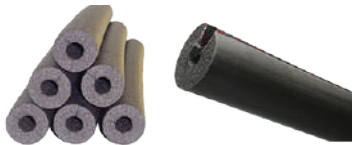
**4-37**



## AQUAFLO®

Pull Stop Boxes™ & Accessories, Quarter Turn Ball Valves, VE Quarter Turn Ball Valves, Flex Arrester™ Connectors, Polymer Push-On Valves (PVs), Water Heater Connectors, Faucet Connectors, Toilet Connectors, Washing Machine Connectors, Ice Maker Connectors, Dishwasher Connectors, Specialized Connectors

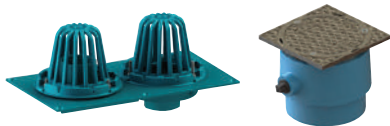
**38-55**



## Insulation

Closed Cell Thermal Polyethylene Foam Pipe Insulation (Half-Slit, Self-Sealing tubular form)

**56-57**



## TechSpecialties® Frank Pattern

Floor Drains, Frank Pattern Cleanouts & Cover Plates, Closet Rings & Flanges, Roof Drains & Accessories, Deck Drains & Accessories, Roof Flashings, Vent Shields

**58-75**



## RAPID-FIT®

Rough-In Kits, Finish Kits, Bath Waste Assemblies, Designer Finish Trim Kits, Universal Tub Drain Kits, Accessories

**76-81**



# Specialty Products

Specialty Products is LSP's original division. When it developed washing machine and ice maker outlet boxes over 40 years ago, Specialty Products acquired its reputation as the innovation leader to the plumbing industry. That unwavering focus on innovation also led to the development of pipe clamps, test caps, and tub boxes among many other products. Specialty's Hang 'em™ Plus Pipe Hangers and PipeSecure Brackets provide the quickest way to support pipe runs.

LSP has partnered with Benjamin Manufacturing Company to offer a broad range of tub protectors, tote trays, nipple caddies, plastic water heater pans, foam wrap, and more. These products are designed to make a plumber's job easier and reduce installation costs. Many of the products are constructed of high impact plastic that is extremely tough, resilient, and withstands rust.



- One Stop Box™ ..... 5-9**
  - Washing Machine Boxes..... 5-6
  - Ice Maker & Gas Boxes ..... 7-9
  - Accessories ..... 9
- Kahuna Outlet Boxes ..... 10**
- Switch Hitter Outlet Boxes ..... 11-13**
- Firestop, Metal Outlet Boxes & Valves..... 14-15**
- Ice Maker Outlet Boxes ..... 16-19**
  - Mini Ice Maker Boxes..... 16
  - Plastic Ice Maker Boxes..... 17
  - Firestop Ice Maker Boxes ..... 18
  - Metal Ice Maker Boxes & Valves ..... 19
- Utility & Gas Outlet Boxes ..... 20**
- Mini Hammer Arresters ..... 21**
- Outlet Box Faceplates & Durgo Air Admittance Valves ..... 22**
- Pipeseure™ Brackets & Accessories ..... 23**
- Hyco Straps, Pipe Brackets & Stub Outs ..... 24**
- Clamps ..... 25-27**
  - Flexi-Fin Clamps ..... 26
  - Acousto® Clamps ..... 27
- Acousto® Kits & Pipe Support..... 28**
- Pipe Support & Groundwork Items ..... 29-30**
- Test Caps & Plugs..... 31-32**
- Access Panels, Foam Spacers & Wrap..... 33**
- Organizational Trays ..... 34-35**
- Water Heater & Washing Machine Pans ..... 36**
- Tub Protectors..... 37**

**One Stop Box™ Washing Machine Box**

The smallest single box valves, condensate and drain on the market. Featuring a patented integrated condensate funnel that accommodates 1/2" or 3/4" pipe, that can be installed in the rough in stage and still allow for testing. Replaceable valves utilize reliable triple o-ring seal, no expense or hassle of cutting drywall required. Included debris cover protects until the finish stage, drain guard to retain slow leaks and integrated mounting system that allows the installer to secure box with nails, screws or hyco straps. Unique simplex handle, universal faceplate and available faceplate extension that is stackable to each additional layer of 5/8" drywall.

Dimensions – 7.5" W x 7.8" H x 3.7" D Faceplate – 6.8" W x 7.1" H



Washing Machine

PART NUMBER	DESCRIPTION	MSTR CTN QTY
<b>WITH COPPER SWEAT VALVES</b>		
OBOS-101-RK	ONE STOP BOX™, WMOB, 1/2" COPPER SWEAT x 3/4" GHT	10
<b>WITH CPVC VALVES</b>		
OBOS-102-RK	ONE STOP BOX™, WMOB, 1/2" CPVC x 3/4" GHT	10
<b>WITH CRIMP PEX VALVES</b>		
OBOS-103-RK	ONE STOP BOX™, WMOB, 1/2" CRIMP PEX x 3/4" GHT	10
<b>WITH UPONOR ProPEX® VALVES</b>		
OBOS-104-RK	ONE STOP BOX™, WMOB, 1/2" UPONOR ProPEX® x 3/4" GHT	10
<b>WITH VIEGA PEX VALVES</b>		
OBOS-105-RK	ONE STOP BOX™, WMOB, 1/2" VIEGA PEX x 3/4" GHT	10
<b>WITH REHAU PEX VALVES</b>		
OBOS-108-RK	ONE STOP BOX™, WMOB, 1/2" REHAU PEX x 3/4" GHT	10

Trim or faceplates can be ordered separately under part number OBOS-900 in cartons of 10 pieces each.



**One Stop Box™ Washing Machine Box with Hammer Arresters**

All of the great features of our Washing Machine One Stop Box™ with Hammer Arrester valves.

Dimensions – 7.5" W x 7.8" H x 3.7" D Faceplate – 6.8" W x 7.1" H



Washing Machine w/HA

PART NUMBER	DESCRIPTION	MSTR CTN QTY
<b>WITH COPPER SWEAT VALVES</b>		
OBOS-111-RK	ONE STOP BOX™, WMOB, 1/2" COPPER SWEAT w/HA x 3/4" GHT	10
<b>WITH CPVC VALVES</b>		
OBOS-112-RK	ONE STOP BOX™, WMOB, 1/2" CPVC w/HA x 3/4" GHT	10
<b>WITH CRIMP PEX VALVES</b>		
OBOS-113-RK	ONE STOP BOX™, WMOB, 1/2" CRIMP PEX w/HA x 3/4" GHT	10
<b>WITH UPONOR ProPEX® VALVES</b>		
OBOS-114-RK	ONE STOP BOX™, WMOB, 1/2" UPONOR ProPEX® w/HA x 3/4" GHT	10
<b>WITH VIEGA PEX VALVES</b>		
OBOS-115-RK	ONE STOP BOX™, WMOB, 1/2" VIEGA PEX w/HA x 3/4" GHT	10
<b>WITH REHAU PEX VALVES</b>		
OBOS-118-RK	ONE STOP BOX™, WMOB, 1/2" REHAU PEX w/HA x 3/4" GHT	10

Trim or faceplates can be ordered separately under part number OBOS-900 in cartons of 10 pieces each.

ASSE 1010 Compliant





Fire Rated Washing Machine

### FireStop One Stop Box™ Washing Machine Box

The FireStop Washing Machine One Stop Box™ is constructed of fire resistant ABS with a factory installed intumescent pad. The OBFOS series are Warnock Hersey certified to ASTM E-814 and CAN/ULC S115 1 hour and 2 hour listings. Suitable for wood or metal studs and all pipe types. **The Fire Rated One Stop Box™ is the only outlet box in its class to be Fire Rated for 2 per stud bay.** Dimensions – 7.5" W x 7.8" H x 3.7" D Faceplate – 6.8" W x 7.1" H

PART NUMBER	DESCRIPTION	MSTR CTN QTY
<b>WITH COPPER SWEAT VALVES</b>		
OBFOS-101-RK	ONE STOP BOX™, WMOB, FIRE RATED, 1/2" COPPER SWEAT x 3/4" GHT	10
<b>WITH CPVC VALVES</b>		
OBFOS-102-RK	ONE STOP BOX™, WMOB, FIRE RATED, 1/2" CPVC x 3/4" GHT	10
<b>WITH CRIMP PEX VALVES</b>		
OBFOS-103-RK	ONE STOP BOX™, WMOB, FIRE RATED, 1/2" CRIMP PEX x 3/4" GHT	10
<b>WITH UPONOR ProPEX® VALVES</b>		
OBFOS-104-RK	ONE STOP BOX™, WMOB, FIRE RATED, 1/2" UPONOR ProPEX® x 3/4" GHT	10
<b>WITH VIEGA PEX VALVES</b>		
OBFOS-105-RK	ONE STOP BOX™, WMOB, FIRE RATED, 1/2" VIEGA PEX x 3/4" GHT	10
<b>WITH REHAU PEX VALVES</b>		
OBFOS-108-RK	ONE STOP BOX™, WMOB, FIRE RATED, 1/2" REHAU PEX x 3/4" GHT	10

\*Fire Rated outlet boxes come with 2 hyco straps.

Trim or faceplates can be ordered separately under part number OBOS-900 in cartons of 10 pieces each.



### FireStop One Stop Box™ Washing Machine Box with Hammer Arresters

All of the great features of our FireStop Washing Machine One Stop Box™ with Hammer Arrester valves.

PART NUMBER	DESCRIPTION	MSTR CTN QTY
<b>WITH COPPER SWEAT VALVES</b>		
OBFOS-111-RK	ONE STOP BOX™, WMOB, 1/2" COPPER SWEAT w/HA x 3/4" GHT	10
<b>WITH CPVC VALVES</b>		
OBFOS-112-RK	ONE STOP BOX™, WMOB, 1/2" CPVC w/HA x 3/4" GHT	10
<b>WITH CRIMP PEX VALVES</b>		
OBFOS-113-RK	ONE STOP BOX™, WMOB, 1/2" CRIMP PEX w/HA x 3/4" GHT	10
<b>WITH UPONOR ProPEX® VALVES</b>		
OBFOS-114-RK	ONE STOP BOX™, WMOB, 1/2" UPONOR ProPEX® w/HA x 3/4" GHT	10
<b>WITH VIEGA PEX VALVES</b>		
OBFOS-115-RK	ONE STOP BOX™, WMOB, 1/2" VIEGA PEX w/HA x 3/4" GHT	10
<b>WITH REHAU PEX VALVES</b>		
OBFOS-118-RK	ONE STOP BOX™, WMOB, 1/2" REHAU PEX w/HA x 3/4" GHT	10

\*Fire Rated outlet boxes come with 2 hyco straps.

Trim or faceplates can be ordered separately under part number OBOS-900 in cartons of 10 pieces each.

ASSE 1010 Compliant



Fire Rated Washing Machine w/HA

### One Stop Box™ Drain Box

Drain box offers installation flexibility on job sites- left, right or center, split in separate stud bays or on adjacent walls. Integrated mounting system that allows the installer to secure box with nails, screws or hyco straps, universal face plate and available faceplate extension that is stackable to each additional layer of 5/8" drywall.

PART NUMBER	DESCRIPTION	MSTR CTN QTY
<b>WITHOUT VALVES</b>		
OBOS-110-RK	ONE STOP BOX™, DRAIN BOX	10
<b>FIRE RATED</b>		
OBFOS-110-RK	ONE STOP BOX™, DRAIN BOX, FIRE RATED	10

\*Fire Rated outlet boxes come with 2 hyco straps.

Trim or faceplates can be ordered separately under part number OBOS-900 in cartons of 10 pieces each.



Drain Box





Ice Maker

**One Stop Box™ Ice Maker Box**

Offset design to provide extra access for a tool or hand. Featuring a replaceable valve that utilizes reliable triple O-Ring seal, no expense or hassle of cutting drywall required. Included debris cover protects until the finish stage, integrated mounting system that allows the installer to secure box with nails, screws or Hyco straps, universal face plate and available faceplate extension that is stackable to each additional layer of 5/8" drywall. Dimensions – 7.5" W x 7.8" H x 3.7" D Faceplate – 6.8" W x 7.1" H

PART NUMBER	DESCRIPTION	MSTR CTN QTY
<b>WITH COPPER SWEAT VALVES</b>		
OBOS-201-RK	ONE STOP BOX™, IMOB, 1/2" COPPER SWEAT x 1/4" Compression	10
<b>WITH CPVC VALVES</b>		
OBOS-202-RK	ONE STOP BOX™, IMOB, 1/2" CPVC x 1/4" Compression	10
<b>WITH CRIMP PEX VALVES</b>		
OBOS-203-RK	ONE STOP BOX™, IMOB, 1/2" CRIMP PEX x 1/4" Compression	10
<b>WITH UPONOR ProPEX® VALVES</b>		
OBOS-204-RK	ONE STOP BOX™, IMOB, 1/2" UPONOR ProPEX® x 1/4" Compression	10
<b>WITH VIEGA PEX VALVES</b>		
OBOS-205-RK	ONE STOP BOX™, IMOB, 1/2" VIEGA PEX x 1/4" Compression	10
<b>WITH REHAU PEX VALVES</b>		
OBOS-208-RK	ONE STOP BOX™, IMOB, 1/2" REHAU PEX x 1/4" Compression	10

Trim or faceplates can be ordered separately under part number OBOS-900 in cartons of 10 pieces each.



**One Stop Box™ Ice Maker Box with Hammer Arresters**

All of the great features of our Ice Maker One Stop Box™ with Hammer Arrester valve. Dimensions – 7.5" W x 7.8" H x 3.7" D Faceplate – 6.8" W x 7.1" H



Ice Maker w/HA

PART NUMBER	DESCRIPTION	MSTR CTN QTY
<b>WITH COPPER SWEAT VALVES</b>		
OBOS-211-RK	ONE STOP BOX™, IMOB, 1/2" COPPER SWEAT w/HA x 1/4" Compression	10
<b>WITH CPVC VALVES</b>		
OBOS-212-RK	ONE STOP BOX™, IMOB, 1/2" CPVC w/HA x 1/4" Compression	10
<b>WITH CRIMP PEX VALVES</b>		
OBOS-213-RK	ONE STOP BOX™, IMOB, 1/2" CRIMP PEX w/HA x 1/4" Compression	10
<b>WITH UPONOR ProPEX® VALVES</b>		
OBOS-214-RK**	ONE STOP BOX™, IMOB, 1/2" UPONOR ProPEX® w/HA x 1/4" Compression	10
<b>WITH VIEGA PEX VALVES</b>		
OBOS-215-RK	ONE STOP BOX™, IMOB, 1/2" VIEGA PEX w/HA x 1/4" Compression	10
<b>WITH REHAU PEX VALVES</b>		
OBOS-218-RK**	ONE STOP BOX™, IMOB, 1/2" REHAU PEX w/HA x 1/4" Compression	10

\*\*Add "-O" to the end of the part number for 45 degree offset valve outlet (trim or faceplates are NOT included). Trim or faceplates can be ordered separately under part number OBOS-900 in cartons of 10 pieces each.

ASSE 1010 Compliant





Fire Rated Ice Maker

### One Stop Box™ Fire Rated Ice Maker Box

The FireStop Ice Maker One Stop Box™ is constructed of fire resistant ABS with a factory installed intumescent pad. The OBFOS series are Warnock Hersey certified to ASTM E-814 and CAN/ULC S115 1 hour and 2 hour listings. Suitable for wood or metal studs and all pipe types. **The Fire Rated One Stop Box™ is the only outlet box in its class to be Fire Rated for 2 per stud bay.** Dimensions – 7.5" W x 7.8" H x 3.7" D Faceplate – 6.8" W x 7.1" H

PART NUMBER	DESCRIPTION	MSTR CTN QTY
<b>WITH COPPER SWEAT VALVES</b>		
OBFOS-201-RK	ONE STOP BOX™, IMOB, FIRE RATED, 1/2" COPPER SWEAT x 1/4" Compression	10
<b>WITH CPVC VALVES</b>		
OBFOS-202-RK	ONE STOP BOX™, IMOB, FIRE RATED, 1/2" CPVC x 1/4" Compression	10
<b>WITH CRIMP PEX VALVES</b>		
OBFOS-203-RK	ONE STOP BOX™, IMOB, FIRE RATED, 1/2" CRIMP PEX x 1/4" Compression	10
<b>WITH UPONOR ProPEX® VALVES</b>		
OBFOS-204-RK	ONE STOP BOX™, IMOB, FIRE RATED, 1/2" UPONOR ProPEX® x 1/4" Compression	10
<b>WITH VIEGA PEX VALVES</b>		
OBFOS-205-RK	ONE STOP BOX™, IMOB, FIRE RATED, 1/2" VIEGA PEX x 1/4" Compression	10
<b>WITH REHAU PEX VALVES</b>		
OBFOS-208-RK	ONE STOP BOX™, IMOB, FIRE RATED, 1/2" REHAU PEX x 1/4" Compression	10

\*Fire Rated outlet boxes come with 2 hycos straps.

Trim or faceplates can be ordered separately under part number OBOS-900 in cartons of 10 pieces each.



Fire Rated Ice Maker w/HA

### One Stop Box™ Fire Rated Ice Maker Box with Hammer Arresters

All of the great features of our FireStop Ice Maker One Stop Box™ with Hammer Arrester valve.

PART NUMBER	DESCRIPTION	MSTR CTN QTY
<b>WITH COPPER SWEAT VALVES</b>		
OBFOS-211-RK	ONE STOP BOX™, IMOB, FIRE RATED, 1/2" COPPER SWEAT w/HA x 1/4" Compression	10
<b>WITH CPVC VALVES</b>		
OBFOS-212-RK	ONE STOP BOX™, IMOB, FIRE RATED, 1/2" CPVC w/HA x 1/4" Compression	10
<b>WITH CRIMP PEX VALVES</b>		
OBFOS-213-RK	ONE STOP BOX™, IMOB, FIRE RATED, 1/2" CRIMP PEX w/HA x 1/4" Compression	10
<b>WITH UPONOR ProPEX® VALVES</b>		
OBFOS-214-RK	ONE STOP BOX™, IMOB, FIRE RATED, 1/2" UPONOR ProPEX® w/HA x 1/4" Compression	10
<b>WITH VIEGA PEX VALVES</b>		
OBFOS-215-RK	ONE STOP BOX™, IMOB, FIRE RATED, 1/2" VIEGA PEX w/HA x 1/4" Compression	10
<b>WITH REHAU PEX VALVES</b>		
OBFOS-218-RK	ONE STOP BOX™, IMOB, FIRE RATED, 1/2" REHAU PEX w/HA x 1/4" Compression	10

\*Fire Rated outlet boxes come with 2 hycos straps.

Trim or faceplates can be ordered separately under part number OBOS-900 in cartons of 10 pieces each.

ASSE 1010 Compliant



**One Stop Box™ Gas Box**

Quarter Turn Ball Valve for easy shut-off. Valve is CSA and AGA approved. Included debris cover protects until the finish stage, drain guard to retain slow leaks and integrated mounting system that allows the installer to secure box with nails, screws or hyco straps, universal face plate and available faceplate extension that is stackable to each additional layer of 5/8" drywall. Dimensions – 7.5" W x 7.8" H x 3.7" D Faceplate – 6.8" W x 7.1" H



Gas Box

PART NUMBER	DESCRIPTION	MSTR CTN QTY
OBOS-301-RK	ONE STOP BOX™, GAS BOX, 1/2 MIP x 1/2 FIP	10
OBOS-303-RK	ONE STOP BOX™, GAS BOX, 1/2 FOR CSST	10

Trim or faceplates can be ordered separately under part number OBOS-900 in cartons of 10 pieces each.



**FireStop One Stop Box™ Gas Box**

The FireStop Gas One Stop Box™ is constructed of fire resistant ABS with a factory installed intumescent pad. The OBFO series are Warnock Hersey certified to ASTM E-814 and CAN/ULC S115 1 hour and 2 hour listings. Suitable for wood or metal studs and all pipe types. **The Fire Rated One Stop Box™ is the only outlet box in its class to be Fire Rated for 2 per stud bay.** Dimensions – 7.5" W x 7.8" H x 3.7" D Faceplate – 6.8" W x 7.1" H



Fire Rated Gas Box

PART NUMBER	DESCRIPTION	MSTR CTN QTY
OBFO-301-RK	ONE STOP BOX™, GAS BOX, FIRE RATED, 1/2 MIP x 1/2 FIP	10
OBFO-303-RK	ONE STOP BOX™, GAS BOX, FIRE RATED, 1/2 FOR CSST	10

\*Fire Rated outlet boxes come with 2 hyco straps.

Trim or faceplates can be ordered separately under part number OBOS-900 in cartons of 10 pieces each.



**One Stop Box™ Accessories**

PART NUMBER	DESCRIPTION	MSTR CTN QTY
OBOS-900	ONE STOP BOX™ Faceplate	10
P-00404	ONE STOP BOX™ Faceplate Extension	10
P-00405	ONE STOP BOX™ Simplex Handle	10
P-00408	ONE STOP BOX™ Condensate Cap	10
P-00411	ONE STOP BOX™ Condensate Funnel	10
P-09050-L	ONE STOP BOX™ WM Valve Right Handle	10
P-09050-R	ONE STOP BOX™ WM Valve Left Handle	10
P-09150-L	ONE STOP BOX™ WM HA Valve Left Handle	10
P-09150-R	ONE STOP BOX™ WM HA Valve Right Handle	10
P-09850	ONE STOP BOX™ IM Valve	10
P-09950	ONE STOP BOX™ IM HA Valve	10
P-06450	Gas Valve 1/2" M.I.P. x 1/2" F.I.P.	10
P-06452	Gas Valve 1/2" for CSST	10
P-1078-18	Hyco Strap 18"	10
P-1078-26	Hyco Strap 26"	10





Kahuna Outlet Box w/Clear Cover and Optional Condensate  
OB-2011



White Faceplate  
P-00910



Kahuna Outlet Box w/Hammer Arresters, Plastic Simplex Handle, Clear Cover and Optional Condensate  
OB-2111



Plastic Simplex Handle  
P-06066

### Kahuna Outlet Box

The most durable outlet box in the plumbing industry. Our error-proof, no knockout drains allow for hassle-free testing. Fill your stack directly from the box and test without a mess! Dual drain feature allows you to choose right or left outlet. Easy-to-install cosmetic cap hides unused drain. Optional, innovative condensate, with visible air gap, accommodates secondary drainage where needed. Quarter Turn Ball Valve Outlet Box. Dimensions: 7-1/4" x 9-3/4" x 3-3/4". Faceplate: 12.32" x 8.50".

PART NUMBER	DESCRIPTION	MSTR CTN QTY
<b>WITHOUT VALVES</b>		
OB-2000	White, Unassembled	10
<b>WITH COPPER SWEAT VALVES</b>		
OB-2010	White, Unassembled	10
OB-2011	White, Assembled	10
<b>WITH CPVC VALVES</b>		
OB-2020	White, Unassembled	10
OB-2021	White, Assembled	10
<b>WITH CRIMP PEX VALVES</b>		
OB-2030	White, Unassembled	10
OB-2031	White, Assembled	10
<b>WITH REHAU VALVES</b>		
OB-2040	White, Unassembled	10
<b>WITH UPONOR ProPEX® VALVES</b>		
OB-2060	White, Unassembled	10
OB-2061	White, Assembled	10
<b>WITH SIMPLEX VALVES</b>		
OB-2400	White, Copper Sweat	10
OB-2401	White, CPVC	10
OB-2402	White, Crimp PEX	10
OB-2403	White, UPONOR ProPEX®	10
<b>WITH VIEGA VALVES</b>		
OB-2070	White, Unassembled	10
OB-2071	White, Assembled	10
<b>ACCESSORIES / REPLACEMENT PARTS</b>		
P-00991	Condensate Stand	3
P-00910	White Faceplate	20
P-00992	Test Plug	10

Add "-T" to the end of the part number for Tract Pack (faceplates packaged separately)

Add "-C" to the end of the part number for Condensate stand

Add "-P" to the end of part number for two Test Plugs



### Kahuna Outlet Box with Hammer Arresters

All of the great features of our Kahuna Outlet Box with Water Hammer Arresters. Outlet box includes a plastic Simplex handle.

PART NUMBER	DESCRIPTION	MSTR CTN QTY
<b>WITH COPPER SWEAT VALVES</b>		
OB-2110	White, Unassembled	10
OB-2111	White, Assembled	10
<b>WITH CPVC VALVES</b>		
OB-2120	White, Unassembled	10
OB-2121	White, Assembled	10
<b>WITH CRIMP PEX VALVES</b>		
OB-2130	White, Unassembled	10
OB-2131*	White, Assembled	10
<b>WITH REHAU VALVES</b>		
OB-2141	White, Unassembled	10
<b>WITH UPONOR ProPEX® VALVES</b>		
OB-2160	White, Unassembled	10
<b>WITH VIEGA VALVES</b>		
OB-2170	White, Unassembled	10
<b>ACCESSORIES / REPLACEMENT PARTS</b>		
P-00991	Condensate Stand	3
P-00910	White Faceplate	20
P-06066	Plastic Simplex Handle	1
P-00992	Test Plug	10

Add "-T" to the end of the part number for Tract Pack (faceplates packaged separately)

Add "-C" to the end of the part number for Condensate

Add "-P" to the end of part number for two Test Plugs

\* Add "-TOP" to the end of the part number for Top Mounted Valves

ASSE 1010 Compliant





Center Outlet  
OB-101



Left Outlet  
OB-203



White Faceplate  
OB-901

**Plastic Switch Hitter Outlet Box**

One box does it all! Patented design provides left, center and right waste options. Knockouts accept either waste or water lines. Quarter Turn Ball Valve. Durable brass resists corrosion. Valves certified to ASME 112.18.1/CSA B125.1 Standard. Long lasting double stem O-rings and tough PTFE seats. Dimensions: Box: 6-1/2" x 7-5/8" x 3". Faceplate: 10-3/8" x 8-7/16".

PART NUMBER	DESCRIPTION	MSTR CTN QTY
<b>WITHOUT VALVES</b>		
OB-101	White	10
<b>WITH COPPER SWEAT VALVES</b>		
OB-102	Beige, Unassembled	10
OB-103	White, Unassembled	10
OB-200	Beige, Center Outlet	10
OB-201*	White, Center Outlet	10
OB-202	Beige, Left Outlet	10
OB-203	White, Left Outlet	10
<b>WITH CPVC VALVES</b>		
OB-351	White, Unassembled	10
OB-353*	White, Center Outlet	10
OB-355	White, Left Outlet	10
OB-357	White, Right Outlet	10
<b>WITH CRIMP PEX VALVES</b>		
OB-321	White, Unassembled	10
OB-323*	White, Center Outlet	10
OB-325	White, Left Outlet	10
<b>WITH UPONOR ProPEX® VALVES</b>		
OB-331	White, Unassembled	10
OB-338*	White, Center Outlet	10
<b>WITH VIEGA PEX VALVES</b>		
OB-343	White, Center Outlet	10
<b>WITH REHAU VALVES</b>		
OB-373	White, Center Outlet	10
<b>REPLACEMENT FACEPLATES</b>		
OB-900	Beige, for Switch Hitter	100
OB-901	White, for Switch Hitter	100
OB-903	White, for Switch Hitter (Deep)	100

Add "-T" to the end of the part number for Tract Pack (faceplates packaged separately)

\* Add "-TOP" to the end of the part number for Top Mounted valves





Plastic Switch Hitter Outlet Box  
w/Hammer Arrester  
OB-207

### Plastic Switch Hitter Outlet Box With Water Hammer Arresters

All the great features of our Plastic Switch Hitter Outlet Box with Water Hammer Arresters.

PART NUMBER	DESCRIPTION	MSTR CTN QTY
<b>WITH COPPER SWEAT VALVES</b>		
OB-210	White, Unassembled	10
OB-207*	White, Center Outlet	10
<b>WITH CPVC VALVES</b>		
OB-211	White, Unassembled	10
OB-213	White, Center Outlet	10
<b>WITH CRIMP PEX VALVES</b>		
OB-216	White, Unassembled	10
OB-218	White, Center Outlet	10
<b>WITH UPONOR ProPEX® VALVES</b>		
OB-217	White, Unassembled	10
OB-219	White, Center Outlet	10
<b>WITH VIEGA VALVES</b>		
OB-237	White, Unassembled	10
<b>REPLACEMENT FACEPLATES</b>		
OB-900	Beige Faceplate	100
OB-901	White Faceplate	100
OB-903	White Faceplate (Depth of 2 Layers of 5/8" Drywall)	100

Add "-T" to the end of the part number for Tract Pack  
(faceplates packaged separately)

ASSE 1010 Compliant



\* Add "-TOP" to the end of the part number for Top Mounted valves



Plastic Switch Hitter  
w/Plastic Simplex Handle  
and Crimp PEX Valves  
OB-437



White Faceplate  
OB-901

### Plastic Switch Hitter Outlet Box With Plastic Simplex Handle

Consolidates all valves and hose connections into one unit. Unique single-lever handle controls both hot and cold water with one movement. Dimensions: Box 6-1/2" x 7-5/8" x 3". Faceplate: 10-3/8" x 8-7/16".

PART NUMBER	DESCRIPTION	MSTR CTN QTY
<b>WITH COPPER SWEAT VALVES</b>		
OB-402	Beige, Left Outlet	10
OB-404	Beige, Right Outlet	10
OB-401	White, Unassembled	10
OB-403	White, Left Outlet	10
OB-405	White, Right Outlet	10
<b>WITH UPONOR ProPEX® VALVES</b>		
OB-438	White, Unassembled	10
OB-439	White, Left Outlet	10
<b>WITH CRIMP PEX VALVES</b>		
OB-435	White, Unassembled	10
<b>REPLACEMENT FACEPLATES</b>		
OB-900	Beige, for Switch Hitter	100
OB-901	White, for Switch Hitter	100
OB-903	White, for Switch Hitter (Deep)	100

Add "-T" to the end of the part number for Tract Pack (faceplates packaged separately)





Plastic Simplex Handle  
P-06066



Plastic Switch Hitter  
w/Plastic Simplex Handle and  
Crimp PEX Valves with Hammer Arresters  
OB-416-R

**Plastic Switch Hitter Outlet Box With Water Hammer Arresters and Plastic Simplex Handle**

Our standard Plastic Washing Machine Outlet Box with Water Hammer Arresters is now available with convenient Plastic Simplex handle. The Plastic Simplex handle slides onto the valve handles, turning them into a single-lever valve. Quarter Turn Ball Valve. Dimensions: Box 6-1/2" x 7-5/8" x 3". Faceplate: 10-3/8" x 8-7/16".

PART NUMBER	DESCRIPTION	MSTR CTN QTY
<b>WITH COPPER SWEAT VALVES</b>		
OB-410-L	White, Assembled, Left Outlet	10
<b>WITH CPVC VALVES</b>		
OB-411-L	White, Assembled, Left Outlet	10
<b>WITH CRIMP PEX VALVES</b>		
OB-416-R	White, Assembled, Right Outlet	10
<b>WITH UPONOR ProPEX® VALVES</b>		
OB-417-L	White, Assembled, Left Outlet	10
OB-417-R	White, Assembled, Right Outlet	10
<b>REPLACEMENT FACEPLATES</b>		
OB-901	White, for Switch Hitter	100
<b>ACCESSORIES / REPLACEMENT PARTS</b>		
P-06066	Plastic Simplex Handle	1

Add "-T" to the end of the part number for Tract Pack  
(faceplates packaged separately)

ASSE 1010 Compliant





FireStop Washing Machine Outlet Box  
OBFS-2011



FireStop Washing Machine Outlet Box  
w/Hammer Arresters  
OBFS-2111



Metal Washing Machine Outlet Box  
OB-501



Metal Washing Machine Outlet Box  
OB-505

## FireStop Washing Machine Outlet Box

The most versatile fire-rated box in the industry. Similar in design to the Switch Hitter, valves may be mounted right/left, or with center drain, and from top or bottom. Constructed from white fire-resistant PVC, with a factory-mounted intumescent pad. FireStop boxes are Warnock Hersey certified to ASTM E-814 and CAN/ULC S115 – 1Hr. and 2Hr. listings. Suitable for use on wood or metal studs, and with all pipe types. Molded in test cap for testing of DWV drain. Quarter Turn Ball Valve. Dimensions: 7-1/16" x 8-3/16" x 3". Faceplate: 11" x 8-3/4". Faceplates will accommodate 1.25" wall thickness.

PART NUMBER	DESCRIPTION	MSTR CTN QTY
<b>WITHOUT VALVES</b>		
OBFS-2000	White, Without Valves	10
OBFS-2001	White, Center Drain, w/Valve Holes	10
<b>WITH COPPER SWEAT VALVES</b>		
OBFS-2010	White, Unassembled	10
OBFS-2011	White, Assembled, Center Drain	10
OBFS-2110	White, Unassembled w/Hammer Arresters	10
OBFS-2111*	White, Assembled, Center Drain, w/Hammer Arresters	10
<b>WITH CPVC VALVES</b>		
OBFS-2020	White, Unassembled	10
OBFS-2021*	White, Assembled, Center Drain	10
OBFS-2120	White, Unassembled w/Hammer Arresters	10
OBFS-2121*	White, Assembled, Center Drain, w/Hammer Arresters	10
<b>WITH CRIMP PEX VALVES</b>		
OBFS-2030*	White, Unassembled	10
OBFS-2031	White, Assembled, Center Drain	10
OBFS-2130	White, Unassembled w/Hammer Arresters	10
OBFS-2131	White, Assembled, Center Drain, w/Hammer Arresters	10
<b>WITH REHAU VALVES</b>		
OBFS-2040	White, Unassembled	10
OBFS-2041	White, Assembled, Center Drain	10
OBFS-2141	White, Assembled, Center Drain, w/Hammer Arresters	10
<b>WITH VIEGA VALVES</b>		
OBFS-2137	White, Unassembled	10
<b>WITH UPONOR ProPEX® VALVES</b>		
OBFS-2060	White, Unassembled	10
OBFS-2061	White, Assembled, Center Drain	10
OBFS-2160	White, Unassembled w/Hammer Arresters	10
OBFS-2161	White, Assembled, Center Drain, w/Hammer Arresters	10
<b>ACCESSORIES / REPLACEMENT PARTS</b>		
P-00213	White Faceplate	1

Add "-T" to the end of the part number for Tract Pack (faceplates packaged separately)

\* Add "-TOP" to the end of the part number for Top Mounted valves



## Metal Washing Machine Outlet Box

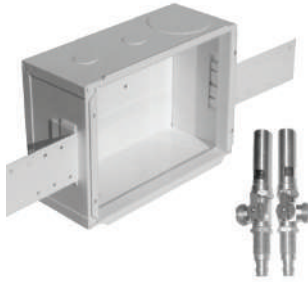
Available in reversible left or right outlet and center outlet models. Easy to install. Packaged with faceplate. Valves certified to ASME A112.18.1/CSA B125.1 Standard. 20 gauge, with white powder-coat paint. Patented design. Quarter Turn Ball Valve. Dimensions: Box: 5-7/8" x 8-11/3" x 3-1/2". Faceplate: 8-1/4" x 10-5/16". All come unassembled.

PART NUMBER	DESCRIPTION	MSTR CTN QTY
<b>WITHOUT VALVES</b>		
OB-500	White, Reversible Outlet	5
<b>WITH COPPER SWEAT VALVES</b>		
OB-501	White, Left or Right Outlet	5
OB-502	White, Center Outlet	5
OB-505	White, Left or Right Outlet, Simplex Handle Included	5
<b>WITH CRIMP PEX VALVES</b>		
OB-506	White, Center Outlet	5
<b>WITH UPONOR ProPEX® VALVES</b>		
OB-525	White, Center Outlet	5
<b>WITH CPVC VALVES</b>		
OB-550	White, Center Outlet	5
OB-551	White, Left or Right Outlet	5

Add "-T" to the end of the part number for Tract Pack (faceplates packaged separately)







Metal Washing Machine Outlet Box  
w/Water Hammer Arresters  
OB-510

**Metal Washing Machine Outlet Box With Water Hammer Arresters**

All of the same great features of our Metal Washing Machine Outlet Box with Water Hammer Arresters.

PART NUMBER	DESCRIPTION	MSTR CTN QTY
<b>WITH COPPER SWEAT VALVES</b>		
OB-508	White, Center Outlet	5
OB-510	White, Left or Right Outlet	5
<b>WITH CPVC VALVES</b>		
OB-513	White, Center Outlet	5
OB-511	White, Left or Right Outlet	5
<b>WITH CRIMP PEX VALVES</b>		
OB-516	White, Center Outlet	5
OB-517	White, Left or Right Outlet	5
<b>WITH UPONOR ProPEX® VALVES</b>		
OB-519	White, Center Outlet	5

Add "-T" to the end of the part number for Tract Pack  
(faceplates packaged separately)

ASSE 1010 Compliant



Red UPONOR ProPEX® 3/4" GHT  
Washing Machine Outlet Box Valve  
P-06421

**3/4" GHT Washing Machine Outlet Box Valves**

Quarter Turn Ball Valves. Durable brass resists cracking and corrosion. Color coded handles – red/blue for hot/cold. Easy on/off finger control. Valves are certified to ASME A112.18.1 Standard. Long lasting double stem O-rings and tough PTFE seats.

HANDLE	STD. VALVE	VALVE w/H.A.	NON-H.A. FOR SIMPLEX
<b>WITH COPPER SWEAT VALVES</b>			
Red	P-06287	P-09100-R	P-06315
Blue	P-06286	P-09100-L	P-06314
<b>WITH CPVC VALVES</b>			
Red	P-06292	P-09110-L	P-06319
Blue	P-06291	P-09110-R	P-06318
<b>WITH CRIMP PEX VALVES</b>			
Red	P-06301	P-09120-L	P-06317
Blue	P-06300	P-09120-R	P-06316
<b>WITH VIEGA VALVES</b>			
Red	--	P-06338	--
Blue	--	P-06337	--
<b>WITH UPONOR ProPEX® VALVES</b>			
Red	P-06421	P-09130-L	P-06370
Blue	P-06420	P-09130-R	P-06371
<b>ACCESSORIES / REPLACEMENT PARTS</b>			
	1/2" Plastic Nut For Mounting Valve		P-06068
	Simplex Handle		P-06066

H.A. = Hammer Arrester

"L" indicated handle on left hand side and "R" indicates handle on the right hand side of the valve's outlet



Blue Crimp PEX 3/4" GHT Washing Machine  
Outlet Box Valve  
P-06316



Blue UPONOR ProPEX® 3/4" GHT Washing  
Machine Outlet Box Valve  
P-06420



Mini Ice Maker Box  
OB-8010-LL

### Mini Ice Maker Box

Modern design with added strength provides unquestionable reliability. Longer mounting ears accommodate all applications. Quarter Turn Ball Valve. All boxes are assembled. Dimensions: Box: 5-1/8" x 3-3/16" x 2-1/4". Faceplate: 6-7/8" x 4-15/16".

PART NUMBER	DESCRIPTION	MSTR CTN QTY
<b>WITHOUT VALVE</b>		
OB-8000	White, No Valve	10
<b>WITH COPPER SWEAT VALVE</b>		
OB-8010-LL	White, 1/2" Copper Sweat x 1/4" Compression	10
<b>WITH CPVC VALVE</b>		
OB-8020-LL	White, 1/2" CPVC x 1/4" Compression	10
<b>WITH CRIMP PEX VALVE</b>		
OB-8030-LL	White, 1/2" PEX x 1/4" Compression	10
OB-8031-LL	White, 3/8" PEX x 1/4" Compression	10
<b>WITH UPONOR ProPEX® VALVE</b>		
OB-8040-LL	White, 1/2" UPONOR ProPEX® x 1/4" Compression	10
<b>WITH REHAU VALVE</b>		
OB-8050-LL	White, 1/2" Rehau x 1/4" Compression	10
<b>WITH VIEGA VALVE</b>		
OB-8070-LL	White, 1/2" Viega x 1/4" Compression	10

Add "-T" to the end of the part number for Tract Pack (faceplates packaged separately)

Lead Free



Mini Ice Maker Box  
w/Water Hammer Arrester  
OB-8110-LL

### Mini Ice Maker Box With Hammer Arrester

All the great features of our Mini Ice Maker Box with Hammer Arrester. All boxes are assembled.

PART NUMBER	DESCRIPTION	MSTR CTN QTY
<b>WITH COPPER SWEAT VALVE</b>		
OB-8110-LL	White, 1/2" Copper Sweat x 1/4" Compression	10
<b>WITH CPVC VALVE</b>		
OB-8120-LL	White, 1/2" CPVC x 1/4" Compression	10
<b>WITH CRIMP PEX VALVE</b>		
OB-8130-LL	White, 1/2" PEX x 1/4" Compression	10
<b>WITH UPONOR ProPEX® VALVE</b>		
OB-8140-LL	White, 1/2" UPONOR ProPEX® x 1/4" Compression	10
<b>WITH REHAU VALVE</b>		
OB-8150-LL	White, 1/2" Rehau x 1/4" Compression	10
<b>WITH VIEGA VALVE</b>		
OB-8170-LL	White, 1/2" Viega x 1/4" Compression	10

Add "-T" to the end of the part number for Tract Pack (faceplates packaged separately)

ASSE 1010 Compliant Lead Free





Plastic Ice Maker Box  
OB-801-LL



Plastic Ice Maker Box  
OB-811-LL



Plastic Ice Maker Box  
w/Hammer Arrester  
OB-817-LL



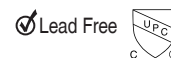
Plastic Ice Maker Box  
w/Hammer Arrester  
OB-824-LL

**Plastic Ice Maker Box**

Slim-line profile for 1" backing. Ribbed walls add support for greater strength and better alignment. Adjustable faceplate accommodates up to 5/8" wall thickness. Top and bottom nailing tabs assure solid installation. Constructed of high-impact plastic. Valve certified to ASME A112.18.1/CSA B125.1 Standard. Quarter Turn Ball Valve. Dimensions: Box: 5-3/16" x 5-3/16" x 2-1/2". Faceplate: 6-13/16" x 6-13/16". All valves are 1/2" inlet x 1/4" outlet, unless otherwise noted. All boxes are assembled.

PART NUMBER	DESCRIPTION	MSTR CTN QTY
<b>WITHOUT VALVE</b>		
OB-802	Beige	10
OB-803	White	10
<b>WITH COPPER SWEAT VALVE</b>		
OB-800-LL	Beige, 1/2" Copper Sweat x 1/4" Compression	10
OB-801-LL	White, 1/2" Copper Sweat x 1/4" Compression	10
<b>WITH CPVC VALVE</b>		
OB-807-LL	White, 1/2" CPVC x 1/4" Compression	10
<b>WITH CRIMP PEX VALVE</b>		
OB-811-LL	White, 1/2" PEX x 1/4" Compression	10
OB-810-LL	White, 3/8" PEX x 1/4" Compression	10
<b>WITH UPONOR ProPex® VALVE</b>		
OB-814-LL	White, 1/2" UPONOR ProPEX® x 1/4" Compression	10
<b>WITH VIEGA PEX VALVE</b>		
OB-843-LL	White, 1/2" Viega x 1/4" Compression	10

Add "-T" to the end of the part number for Tract Pack (faceplates packaged separately)



**Plastic Ice Maker Box With Hammer Arrester**

All the great features of our Plastic Ice Maker Box with Water Hammer Arrester.

PART NUMBER	DESCRIPTION	MSTR CTN QTY
<b>WITH COPPER SWEAT VALVE</b>		
OB-817-LL	White, 1/2" Copper Sweat x 1/4" Compression	10
<b>WITH CPVC VALVE</b>		
OB-819-LL	White, 1/2" CPVC x 1/4" Compression	10
<b>WITH CRIMP PEX VALVE</b>		
OB-818-LL	White, 1/2" PEX x 1/4" Compression	10
<b>WITH UPONOR ProPEX® VALVE</b>		
OB-824-LL	White, 1/2" UPONOR ProPEX® x 1/4" Compression	10

Add "-T" to the end of the part number for Tract Pack (faceplates packaged separately)





FireStop Ice Maker Box  
OBFS-8010-LL



FireStop Ice Maker Box  
w/Hammer Arrester  
OBFS-8110-LL

### FireStop Ice Maker Box

The fire-rated Ice Maker box is similar in design to the Mini Ice Maker, with a modern look and compact profile, but is constructed from fire-resistant PVC, with a factory-mounted intumescent pad. FireStop boxes are Warnock Hersey certified to ASTM E-814 and CAN/ULC S115 - 1Hr. and 2Hr. listings. Suitable for use on wood or metal studs, and with all pipe types. Quarter Turn Ball Valve. Dimensions: 5-11/16" x 3-7/8" x 2-5/8". Faceplate: 5-1/4" x 7-1/4". Faceplates will accommodate 1.25" wall thickness.

PART NUMBER	DESCRIPTION	MSTR CTN QTY
<b>WITHOUT VALVE</b>		
OBFS-8000	White, No Valves	10
<b>WITH COPPER SWEAT VALVE</b>		
OBFS-8010-LL	White, 1/2" Copper Sweat x 1/4" Compression	10
OBFS-8110-LL	White, 1/2" Copper Sweat x 1/4" Compression w/Hammer Arrester	10
<b>WITH CPVC VALVE</b>		
OBFS-8020-LL	White, 1/2" CPVC x 1/4" Compression	10
OBFS-8120-LL	White, 1/2" CPVC x 1/4" Compression w/Hammer Arrester	10
<b>WITH CRIMP PEX VALVE</b>		
OBFS-8030-LL	White, 1/2" PEX x 1/4" Compression	10
OBFS-8130-LL	White, 1/2" PEX x 1/4" Compression w/Hammer Arrester	10
<b>WITH UPONOR ProPEX® VALVE</b>		
OBFS-8040-LL	White, 1/2" UPONOR ProPEX® x 1/4" Compression	10
OBFS-8140-LL	White, 1/2" UPONOR ProPEX® x 1/4" Compression w/Hammer Arrester	10
<b>WITH VIEGA VALVE</b>		
OBFS-8070-LL	White, 1/2" Viega x 1/4" Compression	10
<b>WITH REHAU VALVE</b>		
OBFS-8150-LL	White, 1/2" Rehau x 1/4" Compression w/Hammer Arrester	10

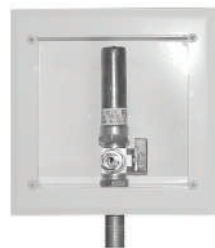
Add "-T" to the end of the part number for Tract Pack  
(faceplates packaged separately)

Lead Free





Metal Ice Maker Box  
OB-504-LL



Metal Ice Maker Box  
w/Hammer Arrester  
OB-509-LL



Ice Maker Outlet Box Valve  
P-09830



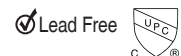
Ice Maker Outlet Box Valve  
UPONOR ProPEX® w/Hammer Arrester  
P-09930

**Metal Ice Maker Box**

Slim-line profile for 1" backing. Ribbed walls add support for greater strength and better alignment. Adjustable faceplate accommodates up to 5/8" wall thickness. Top and bottom nailing tabs assure solid installation. Valve certified to ASME A112.18.1/CSA B125.1 Standard. Quarter Turn Ball Valve. Dimensions: Box: 5-1/8" x 5-5/8" x 2-1/2". Faceplate: 6-13/16" x 6-13/16". All boxes are unassembled.

PART NUMBER	DESCRIPTION	MSTR CTN QTY
<b>WITHOUT VALVE</b>		
OB-503	White	5
<b>WITH COPPER SWEAT VALVE</b>		
OB-504-LL	White, 1/2" Copper Sweat x 1/4" Compression	5
<b>WITH CRIMP PEX VALVE</b>		
OB-507-LL	1/2" Crimp PEX x 1/4" Compression	5
<b>WITH UPONOR ProPEX® VALVE</b>		
OB-512-LL	1/2" UPONOR ProPEX® 1/4" Compression	5

Add "-T" to the end of the part number for Tract Pack (faceplates packaged separately)

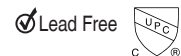


**Metal Ice Maker Box With Water Hammer Arrester**

All the great features of our Metal Ice Maker Box with Water Hammer Arrester.

PART NUMBER	DESCRIPTION	MSTR CTN QTY
<b>WITH COPPER SWEAT VALVE</b>		
OB-509-LL	White, 1/2" Copper Sweat x 1/4" Compression	5
<b>WITH CPVC VALVE</b>		
OB-515-LL	White, 1/2" CPVC x 1/4" Compression	5
<b>WITH CRIMP PEX VALVE</b>		
OB-518-LL	White, 1/2" PEX x 1/4" Compression	5
<b>WITH UPONOR ProPEX® VALVE</b>		
OB-520-LL	White, 1/2" UPONOR ProPEX® x 1/4" Compression	5

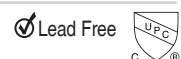
Add "-T" to the end of the part number for Tract Pack (faceplates packaged separately)



**Ice Maker Outlet Box Valves**

Quarter Turn Ball Valves. Durable brass resists cracking and corrosion. Easy on/off finger control. Valves are certified to ASME A112.18.1/CSA 125.1 Standard. Long lasting double stem O-rings and tough PTFE seats.

STD. VALVE	VALVE w/H.A.	INLET	OUTLET
<b>COPPER SWEAT</b>			
P-09800	P-09900	1/2"	1/4" Compression
<b>CPVC</b>			
P-09810	P-09910	1/2"	1/4" Compression
<b>CRIMP PEX</b>			
P-09820	P-09920	1/2"	1/4" Compression
P-09821	--	3/8"	1/4" Compression
<b>UPONOR ProPEX®</b>			
P-09830	P-09930	1/2"	1/4" Compression
<b>REHAU</b>			
P-09890	P-09990	1/2"	1/4" Compression
<b>ACCESSORIES / REPLACEMENT PARTS</b>			
P-06068	1/2" Plastic Nut For Mounting Valve		





Utility Outlet Box  
OB-1200

### Utility Outlet Box

Innovative box for multiple applications. Provides easy access to main water supply shut-off. Saves time and money. Box is offered without valves for your own innovative applications. Dimensions: 6" x 6" x 3-3/8". Faceplate: 8" x 8".

PART NUMBER	DESCRIPTION	MSTR CTN QTY
<b>WITHOUT VALVE</b>		
OB-1200	White	10

Add "-T" to the end of the part number for Tract Pack (faceplates packaged separately)



Perfect Fit™ Plastic Gas Outlet Box  
GSB-101

### Perfect Fit™ Gas Outlet Box

All gas boxes are unassembled. Recessed construction eliminates line kinks. Reduced clearance from the wall keeps appliances out of the way. Finished, attractive installations. Includes mounting brackets and safety plug. Quarter Turn Ball Valve for easy shut-off. Valve is CSA and AGA approved. Dimensions: Box: 5-3/16" x 5-3/16" x 2-1/2". Faceplate: 6-13/16" x 6-13/16".

PART NUMBER	DESCRIPTION	INLET	OUTLET	MSTR CTN QTY
<b>FOR IRON PIPE</b>				
GSB-101	White	1/2" MIP	1/2" FIP	10
GSB-201	White	3/4" MIP	3/4" FIP	10
GSB-501	Metal Outlet Box	1/2" MIP	1/2" FIP	10
GSB-601	Metal Outlet Box	3/4" MIP	3/4" FIP	10
<b>FOR CORRUGATED STAINLESS STEEL TUBING (CSST)*</b>				
GSB-101-FX	White	1/2" FIP	1/2" FIP	10
GSB-501-FX	Metal Outlet Box	1/2" FIP	1/2" FIP	10

Add "-GP" to the end of the part number for Gas Pack (faceplates packaged separately)

\* Adapter Sold Separately



Perfect Fit™ Plastic Gas Outlet Box  
GSB-501

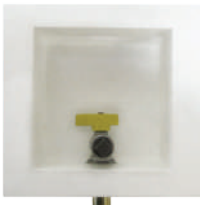
### Deep Gas Outlet Box

Utility box for gas supply. Deep box design keeps valve recessed and out of the way of appliances. Ideal for 3/4" valve applications. Dimensions: 6" x 6" x 3-3/8". Faceplate: 8" x 8".

PART NUMBER	INLET	OUTLET	MSTR CTN QTY
<b>GAS OUTLET BOX</b>			
OB-1260	1/2" MIP	1/2" FIP	10
OB-1261	3/4" MIP	3/4" FIP	10
OB-1262	1/2" FIP	1/2" FIP	10

Add "-GP" to the end of the part number for Gas Pack (faceplates packaged separately)

Adapter Sold Separately



Deep Gas Box  
OB-1260

### FireStop Gas Outlet Box

The Industry's best, compact, fire-rated box available with gas valves for gas appliance applications. Box: 5-11/16" x 3-7/8" x 2-5/8". Faceplate: 5-1/4" x 7-1/4". 1 hour/2 hour fire rating.

Warnock Hersey listed 1hr and 2hr: ASTM E814, CAN/ULC S115, IAPMO/UPC Certified. Valve also meets or exceeds: ASME A112.18.1, NSF Standard 61.

PART NUMBER	INLET	OUTLET	MSTR CTN QTY
<b>GAS OUTLET BOX</b>			
GSFS-101	1/2" MIP	1/2" FIP	10
GSFS-201	3/4" MIP	3/4" FIP	10
<b>FOR CORRUGATED STAINLESS STEEL TUBING (CSST)*</b>			
GSFS-101-FX	1/2" MIP	1/2" FIP	10

Add "-GP" to the end of the part number for Gas Pack (faceplates packaged separately)

\* Adapter Sold Separately



FireStop Gas Box  
GSFS-101





1/2" MIP X 1/2" FIP  
P-06450



3/4" MIP X 3/4" FIP  
P-06451



1/2" FIP X 1/2" FIP  
P-06452



Mini-Hammer Arrester  
P-09719



Mini-Hammer Arrester  
P-09399



Polymer Mini Inline  
Hammer Arresters

### Gas Outlet Box Valves

Quarter-turn, angle valves CSA listed to standards ANSI Z21.15/CSA 9.1 for 1/2 PSIG working pressure and to standard ASME B16.44 for above ground piping systems up to 5 PSI working pressure.

PART NUMBER	DESCRIPTION	MSTR CTN QTY
P-06450	1/2" MIP X 1/2" FIP	50
P-06451	3/4" MIP X 3/4" FIP	50
P-06452	1/2" FIP X 1/2" FIP	50



### Gas Valve Fitting Adaptors

Gas valve fitting adaptors allow connection between the gas valve to gas outlet boxes. Note: P-06050 is required for attachment. ASTM B16 brass.

PART NUMBER	DESCRIPTION	MSTR CTN QTY
<b>WITHOUT VALVE</b>		
P-06550	1/2" FIP X 1/2" MIP	135
P-06551	3/4" FIP X 3/4" MIP	135

Compliances/Listings: ANSI Z21.15-2009/CSA 9.1-2009, ANSI Z21.15a-2012/CSA 9.1a-2012, ANSI Z21.15b-2013/CSA 9.1b-2013, CGA Req. CR91-002-1995, ASME B16.44-2012, CSA Class 3371 08, 3371 88, 3371 12, and 3371 92



### Mini-Hammer Arrester

Eliminates water hammer problems. AA size rating. Can be installed vertically or horizontally. Machined fittings for superior quality. Spun copper top for unobtrusive, clean look. NSF compliant; UPC certified. No access panel required.

PART NUMBER	DESCRIPTION	MSTR CTN QTY
P-06393	3/8" Crimp PEX Tee	50
P-06398	5/8" O.D. Compression Tee	50
P-09399	Mini HA, FGHT Swivel x MGHT, Elbow	50
P-06402	1/2" FEM Sweat x 1/2" Male Sweat	50
P-09719	Mini HA, 1/2" Male CPVC, Straight	50
P-09729	Mini HA, 1/2" Crimp PEX, Straight	50
P-09739	Mini HA, 1/2" UPONOR ProPEX®, Straight	50
P-09749	Mini HA, 1/2" Male Copper Sweat, Straight	50
P-09769	Mini HA, 1/2" Female Copper Sweat, Straight	50
P-09829	Mini HA, 1/2" Crimp PEX F1807, Tee	50
P-09839	Mini HA, 1/2" UPONOR ProPEX® F1960, Tee	50
P-09859	Mini HA, 3/8" O.D. Compression, Tee	50
P-09869	Mini HA, 3/8" O.D. Compression x 3/8" Female O.D. Compression, Tee	50
P-09879	Mini HA, 5/8" O.D. Compression x 5/8" Female O.D. Compression, Tee	50
P-09899	Mini HA, 1/2" Rehau PEX, Tee	50

ASSE 1010 Compliant



### Polymer Mini Inline Hammer Arresters

Unlike Brass Hammer Arresters, the Polymer Mini Inline Hammer Arresters are made from the same engineered polymer as PEX fitting which is corrosion resistant, will never pit and is Lead Free Compliant. Easy to install at any angle. No access panel or maintenance required. Perfect for dishwashers.

PART NUMBER	DESCRIPTION	MSTR CTN QTY
P-06406	1/2" Crimp PEX	50
P-06407	1/2" UPONOR ProPEX®	50

ASSE 1010 Compliant NSF/ANSI61 Lead Free





Faceplate Replacement



P-00961



P-3704



P-3706

### Faceplate Replacements

Standard faceplate constructed of high-impact plastic; 5/8" depth. Deep plastic faceplate accommodates two 1/2" thicknesses of drywall or up to 1" thick plaster; 1-1/4" depth.

PART NUMBER	DESCRIPTION	MSTR CTN QTY
<b>WASHING MACHINE</b>		
P-00213	White, for FireStop	100
P-00910	White, for Kahuna	20
OB-900	Beige, for Switch Hitter	100
OB-901	White, for Switch Hitter	100
OB-903	White, for Switch Hitter (Deep)	100
P-4163	White, for Metal WMOB, 20 Gauge	100
<b>ICE MAKER</b>		
P-00908	White, for Mini Ice Maker	20
P-00805	White, for FireStop	40
OB-905	White, for Standard	10
P-4164	White, for Metal IMOB, 20 Gauge	200
<b>ONE STOP BOX</b>		
OBOS-900	White, Trim or Faceplate for all One Stop Boxes™	10
P-00404	White, Trim or Faceplate Extension for One Stop Box™	100
<b>UTILITY</b>		
P-00961	White AAV Wall Box Louver Faceplate	10
OB-951	White, (Deep)	100

### Durgo Air Admittance Valves

*Faster. Better. Smarter.*

Air Admittance Valves (AAV) provide an acceptable means for ventilating a plumbing drainage system without venting through the roof or to open atmosphere. AAVs ensure that no sewer gases or liquids will enter the building through the valve.

The AAV closes by gravity, sealing at zero-differential pressure and remains closed under positive internal pressure (back pressure). It opens under negative pressure to allow proper drainage to occur without siphoning of fixture traps.

AAVs are offered with adapters in three different sizes to handle all applications.

- Junior: Perfect for horizontal runs in residential applications.
- Senior: Great for stack or branch systems.
- US90 3": For large or commercial requirements.
- Wall Box and Louver offers a recessed clean look for AAVs in visible locations.

Code Approvals:

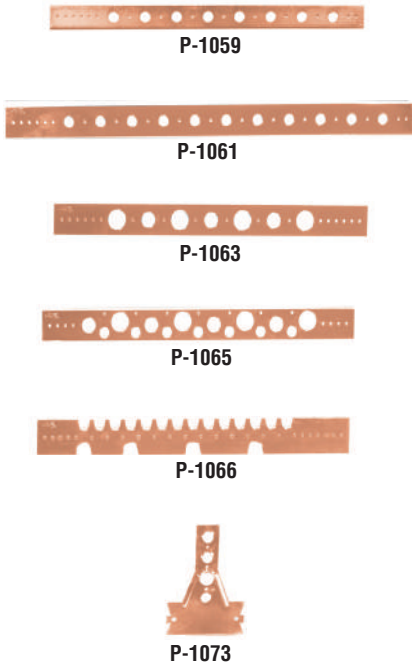
- Manufactured in compliance with ASSE 1051, ASSE 1050 (Except Durgo Jr.)
- Installation shall be in accordance with local code requirements

PART NUMBER	DESCRIPTION	MSTR CTN QTY
P-3700	Durgo Senior 1-1/2" - 2" w/White ABS Adapter (20 DFU)	10
P-3701	Durgo Senior 1-1/2" - 2" w/PVC Adapter (20 DFU)	25
P-3702	Durgo Junior 1-1/2" - 2" w/White ABS Adapter (20 DFU)	25
P-3703	Durgo Junior 1-1/2" - 2" w/PVC Adapter (20 DFU)	25
P-3704	Durgo US90 3"	12
OBAV-200	AAV Wall Box w/Louver Faceplate	10
OBAV-3702	AAV Wall Box w/Louver Faceplate & Durgo Jr 1-1/2" - 2" w/White ABS Adapter	10
OBAV-3703	AAV Wall Box w/Louver Faceplate & Durgo Jr 1-1/2" - 2" w/PVC Adapter	10
<b>ACCESSORIES / REPLACEMENT PARTS</b>		
P-00961	White AAV Wall Box Louver Faceplate	1
P-3705	1-1/2" White ABS Adapter	1
P-3706	1-1/2" PVC Adapter	1



**Copper Plated PipeSecure™ Brackets**

Unique manufacturing process ensures a uniform copper coat for a superior sweating surface. Durable construction for maximum strength and easier handling.

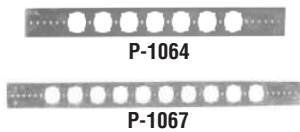


PART NUMBER	DESCRIPTION	MSTR CTN QTY
P-1059	20" Copper, 1/2" Holes 1-1/4" Wide	50
P-1061	26" Copper, 1/2" Holes 1-3/4" Wide	50
P-1062	20" Copper, 1/2" & 3/4" Alternating Holes	50
P-1063	20" Copper, 3/4" Holes & 1" Alternating Holes	50
P-1065	20" Copper, 1/2" Holes 2" Centers, 3/4" & 1" Holes on 4" Centers	50
P-1066	20" Copper, Extruded Half Holes, 1/2" & 3/4" Holes	50
P-1073	5" x 6-3/4" Extruded, 1/2" and 3/4" Holes	50



**Galvanized PipeSecure™ Brackets**

Sturdy, galvanized steel brackets with 1-3/8" keyed holes accommodate grommets for all pipe types, including glueable CPVC grommets, as well as the PEX Elbow (P-2021). Multiple configurations for all bracketing applications.



PART NUMBER	DESCRIPTION	MSTR CTN QTY
P-1064	20" Galvanized, 1-3/8" Notched Holes	50
P-1067	26" Galvanized, 1-3/8" Notched Holes	25



Grommets  
P-2016

**Grommets**

Sized for metal studs or Galvanized PipeSecure™ Brackets. For use with Copper, PEX or CPVC.

PART NUMBER	DESCRIPTION	PARTS/BAG	MSTR CTN QTY
<b>FOR ALL PIPE TYPES</b>			
P-2016	Red, 1/2" CTS	100	1000
P-2017	Red, 3/4" CTS	100	1000
P-2018	Red, 1" CTS	100	1000



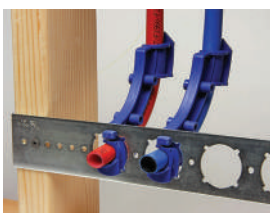
PEX Elbow  
P-2021

**PEX Elbow**

Easiest PEX elbow to install allows plumber to bend pipe and quickly clip elbow into a PipeSecure™ bracket. The bend support works with any 1-3/8" keyed holes bracket. The PEX Elbow can also be fastened directly to the stud or stacked when two or more are needed. Made in the U.S.A.

PART NUMBER	DESCRIPTION	PARTS/BAG	MSTR CTN QTY
P-2021	90° For 1/2" & 3/8" PEX	50	500

Made in North America



PEX Elbows installed in  
PipeSecure™ Bracket  
(P-1064)

P-1078-18



P-1078-26



### Hyco Straps

This versatile perforated, galvanized support bracket is perfect for securing the Pull Stop Box™, One Stop Box™ and/or drain box either vertically or horizontally.

PART NUMBER	DESCRIPTION	MSTR CTN QTY
P-1078-18	Hyco Strap 18" x 5/8" x 1/16"	100
P-1078-26	Hyco Strap 26" x 5/8" x 1/16"	100

Boss Bar  
P-1090



Boss Bar  
P-1093



### Boss Bar Adjustable Bracket

Our Boss Bar is a multipurpose, galvanized steel, adjustable sliding bracket designed to support all pipe types. Specially designed mounting ears allow attachment to wood, metal, steel or concrete. In side-by-side testing, the unique triangular design of the Boss Bar easily surpasses similar brackets in strength. Our Flexi-Fin and Acousto® pipe clamps easily attach with four self-tapping sheet metal screws that are included with each bracket.

PART NUMBER	DESCRIPTION	MSTR CTN QTY
P-1090	Adjustable Sliding Bracket, Adjusts from 10"-18"	50
P-1093	Adjustable Sliding Bracket, Adjusts from 13"-24"	50

P-8003



P-8006



P-8007



P-8014



P-8114



### Copper Stub Outs

Reduce installation time and cost with convenient, pre-formed copper stub outs and elbows. Accepts sweat and compression valves. Available in multiple pipe types and configurations. Type L copper.

PART NUMBER	DESCRIPTION	MSTR CTN QTY
P-8001	1/2" x 1/2" Copper Female Sweat, 6" Straight	50
P-8003	1/2" x 1/2" Copper Female Sweat, 8" Elbow	50
P-8006	1/2" x 3/8" Crimp PEX, 8" Elbow	50
P-8007	1/2" x 1/2" Lead-Free UPONOR ProPEX®, 8" Elbow Lead Free Compliant	50
P-8014	1/2" x 1/2" Crimp PEX, 8" Elbow	50
P-8103	1/2" x 1/2" Copper Female Sweat, 8" Elbow w/Flange	50
P-8107	1/2" x 1/2" Lead-Free UPONOR ProPEX®, 8" Elbow w/Flange	50
P-8114	1/2" x 1/2" Crimp PEX, 8" Elbow w/Flange	50

Lever Lock™  
P-2001



### Lever-Lock™

Lever-Lock™ easily clamps down on any 1/2" pipe. Great for securing stub outs. No more soldering copper elbows when running PEX systems. Snaps easily into any 1-3/8" notched hole. Mounting ears allow for mounting directly to a stud.

PART NUMBER	DESCRIPTION	PARTS/BAG	MSTR CTN QTY
P-2001	Lever-Lock™ Clamp, 1/2"	25	500

Made in North America





Talon Clamp with Nail

**Talon Clamp With Nail**

Constructed of high-impact plastic. Fast and easy to use. Pre-installed barbed nail prevents backout. Black in color.

PART NUMBER	DESCRIPTION	PARTS/BAG	MSTR CTN QTY
P-40429	3/8" CTS	100	1000
P-40433	1/2" CTS	100	1000
P-40434	3/4" CTS	100	1000
P-40435	1" CTS	50	500
P-40436	1-1/4" CTS	25	250



Full Clamp with Nail

**Full Clamp With Nail**

Constructed of high-impact plastic. Fast and easy to use. Pre-installed barbed nail prevents backout. Isolates tube from surface to reduce noise and protect tube from errant nails. Black in color.

PART NUMBER	DESCRIPTION	PARTS/BAG	MSTR CTN QTY
P-2070	1/2" CTS	100	1000
P-2071	3/4" CTS	50	500
P-2072	1" CTS	25	250



Single Nail Clamp

**Single Nail Clamp**

Constructed of high-impact plastic. Fast and easy to use. Pre-installed barbed nail prevents backout. Ribbed design completely encircles pipe. Use with copper, CPVC and PEX pipe. Beige in color. Patented design.

PART NUMBER	DESCRIPTION	PARTS/BAG	MSTR CTN QTY
P-2090	1/2" CTS	100	1500
P-2091	3/4" CTS	100	1000

Made in North America



Multi Fit Joist Clamp

**Multi-Fit Clamps**

Specially designed by contractors for contractors! Constructed of high impact plastic. Fast and easy to use. Ribbed design accommodates several pipe sizes.

PART NUMBER	DESCRIPTION	PARTS/BAG	MSTR CTN QTY
<b>JOIST CLAMPS</b>			
P-2073	1/2", 3/4", 1" CTS	50	200
P-2074	1-1/4", 1-1/2" CTS	50	200
<b>RAFTER CLAMPS</b>			
P-2075	1/2", 3/4", 1" CTS	50	200

CTS: Copper Tube Size

Made in North America



Multi Fit Rafter Clamp



Flexi-Fin Pipe Insulator

### Flexi-Fin Pipe Insulator For Wood & Metal Studs

Features patented fin design. Exterior fins securely fasten insulator to both wood and metal studs. Ideal for potable and hydronic water systems. Secure copper, CPVC and PEX. Drill 1-3/8" hole. Beige in color. Patented design.

PART NUMBER	DESCRIPTION	PARTS/BAG	MSTR CTN QTY
P-2086	1/2" CTS	100	1000
P-2087	3/4" CTS	100	1000
P-2089	1" CTS	100	300

Made in North America



Flexi-Fin Insulating Suspension

### Flexi-Fin Insulating Suspension

Features patented fin design. High-ear design allows installation in hard-to-reach areas. Secures copper, CPVC and PEX pipe to both wood and metal framework. Use in both residential and commercial construction. Beige in color. Patented design.

PART NUMBER	DESCRIPTION	PARTS/BAG	MSTR CTN QTY
P-2062	1/2" CTS	100	1000
P-2063	3/4" CTS	100	1000
P-2064	1" CTS	50	250
P-2056	1-1/4" CTS	50	800
P-2058	1-1/2" CTS	25	600
P-2060	2" CTS	25	300

Made in North America



Flexi-Fin Pipe Clamp

### Flexi-Fin Pipe Clamp

Patented fin design. Secures copper, CPVC and PEX pipe to both wood and metal framework. Use in both residential and commercial construction. Beige in color.

PART NUMBER	DESCRIPTION	PARTS/BAG	MSTR CTN QTY
P-2031	1/2" CTS	100	1000
P-2032	3/4" CTS	100	1000
P-2033	1" CTS	50	250
P-2025	1-1/4" CTS	50	800
P-2027	1-1/2" CTS	25	600
P-2029	2" CTS	25	300

Made in North America



Strut Clamp

### Strut Clamp

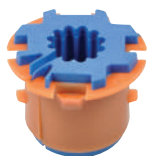
Designed to work with channel bar. Completely encircles pipe. No tools needed for installation. Fits 1-5/8" track. Black in color.

PART NUMBER	DESCRIPTION	PARTS/BAG	MSTR CTN QTY
P-2041	1/2" CTS	50	1200
P-2042	3/4" CTS	50	900
P-2043	1" CTS	50	600
P-2044	1-1/4" CTS	50	600
P-2045	1-1/2" CTS	25	500
P-2046	2" CTS	25	300

CTS: Copper Tube Size

Made in North America





Acousto® Lator

### Acousto® Lator

Keeps pipes from touching noise-transmitting surfaces such as wood & metal studs. Features high-impact plastic construction with special acoustic lining. Fish hook lugs hold insulator securely in place. Drill 1-3/8" hole. For best results, use with PipeSecure Pipe Brackets. For use with all pipe types, including CPVC.

PART NUMBER	DESCRIPTION	PARTS/BAG	MSTR CTN QTY
P-6301	1/2" CTS	25	500
P-6302	3/4" CTS	25	500



Acousto® Clamp

### Acousto® Clamp

Special acoustic lining completely encircles pipe to insulate it and absorb noise vibrations. Secures water pipe to joists. Constructed of durable high-impact plastic. For use with all pipe types, including CPVC.

PART NUMBER	DESCRIPTION	PARTS/BAG	MSTR CTN QTY
P-6101	1/2" CTS	25	700
P-6102	3/4" CTS	25	400
P-6103	1" CTS	25	300
P-6104	1-1/4" CTS	25	300



High-Ear Acousto® Clamp

### High-Ear Acousto® Clamp

High-ear design may be nailed to floor or ceiling joists or broken off during installation. Grooved body allows attachment to ceiling joists using a clevis hanger. Features high-impact plastic construction with special acoustic lining. For use with all pipe types, including CPVC.

PART NUMBER	DESCRIPTION	PARTS/BAG	MSTR CTN QTY
P-6201	1/2" CTS	25	700
P-6202	3/4" CTS	25	500
P-6203	1" CTS	25	300
P-6204	1-1/4" CTS	25	300



Acousto® Pad

### Acousto® Pad

Isolates pipe from surface contact with structure and dry wall. Use when installing pipe for shower risers, for tub drops, and through finished walls.

PART NUMBER	DESCRIPTION	PARTS/BAG	MSTR CTN QTY
P-6701	Acousto® Pad	25	250

CTS: Copper Tube Size

Made in North America






Polypropylene Escutcheon

### Polypropylene Escutcheons

Add a finishing touch to the area around protruding pipes, while covering the opening in the wall or floor around the pipe, with these corrosion resistant escutcheons. These white, one-piece, slip-one escutcheons will not disrupt compression connections. CTS and IPS available in a variety of sizes.

PART NUMBER	DESCRIPTION	PARTS PER BAG	MSTR CTN QTY
P-08405	1/2" IPS, White	25	500
P-08406	1/2" CTS, White	25	500
P-08407	3/4" CTS, White	25	500
P-08408	3/4" IPS, White	25	500
P-08410	1" CTS, White	25	500
P-08411	1" IPS, White	25	500
P-08415	1-1/2" IPS, White	25	300
P-08420	2" IPS, White	25	300

Made in North America 

Specialty Products

ACOUSTO® KITS AND PIPE SUPPORT



Acousto® Kit  
P-6721



Acousto® Kit  
P-6730

### Acousto® Accessories and Kits

Choose from a variety of kits for sinks and toilet installations. All kits include 1/2" Acousto® Lator 20" or 26" bracket.

PART NUMBER	DESCRIPTION	MSTR CTN QTY
P-6501	Acousto-Sleeve	10
P-6721	Sink/Lav 26" Bracket & 2 Each P-6301 (pg. 27)	50
P-6730	Toilet 20" Bracket & 1 Each P-6301 (pg. 27)	50
P-1064	20" Galvanized, 1-3/8" Notched Holes, Bracket Only	25
P-1067	26" Galvanized, 1-3/8" Notched Holes, Bracket Only	25




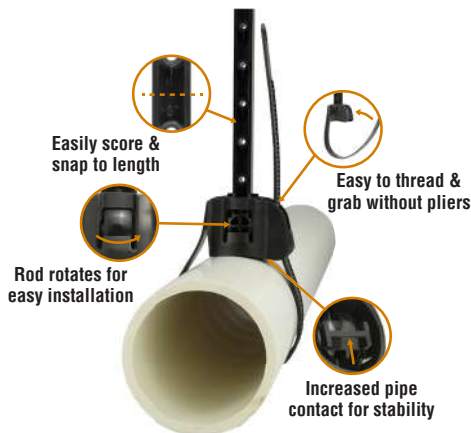
Plastic Plumber's Tape

### Plastic Plumber's Tape (Self-Dispensing Box)

Will hold up to 100lbs – Max Strength. 1/8" holes on 3/4" centers. Used to support potable water piping. Eliminates rust or electrolysis problems. For use with both plastic pipe and cast iron.

PART NUMBER	DESCRIPTION	QTY/BOX	MSTR CTN QTY
P-1011	3/4"	100' Roll	24 Rolls


Made in North America 



### HANG'EM™ PLUS Pipe Hanger

The most versatile DWV pipe hanger on the market with features like; patented Ball and Socket design that rotates 360° for alignment flexibility during installation and pivots ±10° horizontally to match slope of drain pipe. Strap ratchet adjusts for all Schedule 40 DWV pipe sizes to 4" and the extension strap accessory is for larger diameter pipe up to 6". Hanger rod is pre-marked and numbered mounting holes every 1". For use with both plastic pipe and cast iron.

PART NUMBER	DESCRIPTION	MSTR CTN QTY
P-1624-B	HANG'EM™ PLUS Pipe Hanger - Black	25
P-10137-B	Strap Only - Black	1
P-10140	Extension Bracket	1

Made in North America 



J-Hook

**J-Hooks**

Strong and rigid I-Beam design. Supports drain-waste and vent piping from joists and rafters. Two captive nails and nail holes on all four sides. Made of corrosion-proof, high-impact ABS.

PART NUMBER	DESCRIPTION	PARTS/BAG	MSTR CTN QTY
P-1610	White, 1-1/2" w/Nail	25	125
P-1612	White, 2" w/Nail	25	125
P-1613	White, 3" w/Nail	25	100
P-1614	White, 4" w/Nail	25	75



Plasti-Sleeve Pipe Protector

**Plasti-Sleeve Pipe Protector**

For use with copper, PEX, and ABS/PVC, as listed below. Economical and efficient. Protects 1/2", 3/4", 1" and 2" pipe during installation. Flexible material forms a seal around pipe in concrete. Packaged in self-dispensing box. 180° F maximum.

PART NUMBER	DESCRIPTION	PARTS/BAG	MSTR CTN QTY
<b>FOR USE WITH ALL PIPE MATERIAL, EXCEPT CPVC</b>			
P-3034	3/4" Red / 27mil	100' Roll	1
P-3035	3/4" Blue / 27mil	100' Roll	1
P-3036	1" Red / 27 mil	100' Roll	1
P-3037	1" Blue / 27 mil	100' Roll	1
P-3044	2" Blue / 27 mil	50' Roll	1
P-3045	2" Red / 27 mil	50' Roll	1
P-3046	3/4" Blue / 27 mil	50' Roll	1
P-3047	3/4" Red / 27 mil	50' Roll	1
P-3048	1" Blue / 27 mil	50' Roll	1
P-3049	1" Red / 27 mil	50' Roll	1

Made in North America



Right-Tite® II Tub Box  
P-3000

**Tub Boxes**

Patented, improved closure makes assembly a snap. More pipe knockouts - compatible with 1-1/2" and 2" pipe. Angled corner increases versatility. Zip ties included for rebar anchoring. High-impact injection molded plastic. Use in concrete slabs, wood floors and multi-story flooring. Master cartons consist of 5 pairs - 10 total tub boxes.

PART NUMBER	DESCRIPTION	MSTR CTN QTY
P-3000	14-7/8" x 14-7/8" x 7" Deep	5 Pairs

Made in North America



Plastic Tub Box  
1313

These following tub boxes are made with high-impact injection molded plastic. Will not fall apart when exposed to rain or water. Easily cut with utility knife for openings. Rodent proof. Can be used individually or in pairs.

PART NUMBER	DESCRIPTION	MSTR CTN QTY
1313	13" x 13" x 7" Deep	12
1410	12" x 8" x 6" Deep	36

Made in North America



Light Pour Time-Savers Stokes Tub Dam  
P-3092

### Light Pour Time-Savers Stokes Tub Dam

Single piece construction cans out tub cavity for waste and overflow connection.

PART NUMBER	DESCRIPTION	MSTR CTN QTY
P-3092	1-1/2" Height	25

Made in North America



Sure-Sleeve Plastic Hole Form

### Sure-Sleeve Plastic Hole Form

Use vertically and horizontally for both floor and wall installations. For use in electrical, mechanical and plumbing installations and concrete casting applications. Stackable feature allows extension to higher elevations. Height - 8". Patented design. NOTE: Use 1 size larger than pipe size.

PART NUMBER	DESCRIPTION	MSTR CTN QTY
P-3050	1-1/2" 1° - 3° Taper	135
P-3051	2" 3° Taper	90
P-3060	3" 3° Taper	80
P-3061	4" 3° Taper	55
P-3062	5" 3° Taper	30
P-3063	6" 3° Taper	25
P-3064	8" 3° Taper	36
P-3056	10" 1° Taper	12
P-3057	12" 1° Taper	12

Made in North America



Multi-Purpose Pipe Holder - PVC

### Multi-Purpose Pipe Holder

Secures pipe to forms during the concrete pour. Can be used either vertically or horizontally as a pipe support by fastening to a stud, joist or form board. Scored tail piece snaps off when stripping from boards. Solvent cements to pipe. Acceptable for waste and/or vent riser clamp applications on plastic pipe within stud walls.

PART NUMBER	DESCRIPTION	PARTS/BAG	MSTR CTN QTY
P-1039	1-1/2" - 2" PVC	50	500
P-1040	3" - 4" PVC	25	300
P-1009	1-1/2" - 2" ABS	50	500
P-1010	3" - 4" ABS	25	300

Made in North America



Multi-Purpose Pipe Holder - ABS





Inset Plug On

**Inset Plug On**

Designed for ABS or PVC Schedule 40 DWV pipe. Hinged knockouts prevent center from falling into pipe. Constructed of high-impact plastic. White in color.

PART NUMBER	DESCRIPTION	PARTS/BAG	MSTR CTN QTY
P-0002	1-1/2"	100	1000
P-0003	2"	100	1000
P-0004	3"	50	500
P-0005	4"	25	200
P-0006	6"	10	200

Made in North America



Cap On

**Cap On**

Designed for ABS or PVC Schedule 40 DWV pipe and fittings. Hinged knockouts prevent center from falling into pipe. Constructed of high-impact plastic. White in color.

PART NUMBER	DESCRIPTION	PARTS/BAG	MSTR CTN QTY
P-0014	1-1/2"	100	1600
P-0015	2"	100	1600
P-0016	3"	50	700
P-0017	4"	25	250

Made in North America



Slip On

**Slip On**

"Friction-hold" test cap for one story testing. Designed for ABS or PVC Schedule 40 DWV pipe and fittings. No solvent cementing required; cap slips over end of pipe or inserts into fittings. Orange in color.

PART NUMBER	DESCRIPTION	PARTS/BAG	MSTR CTN QTY
P-0018	1-1/2"	50	900
P-0019	2"	50	600
P-0020	3"	20	280
P-0021	4"	10	150

Made in North America



Cap All

**Cap All**

Use above or below ground to test ABS, PVC Schedule 40 DWV, steel, cast iron or copper pipe. Reusable for greater economy. Features all-stainless-steel band and screw. Black in color.

PART NUMBER	DESCRIPTION	PARTS/BAG	MSTR CTN QTY
P-0029	1-1/2"	50	50
P-0030	2"	50	50
P-0031	3"	25	25
P-0032	4"	25	25
P-0038	5"	25	25
P-0039	6"	20	20
P-0040	8"	15	15





End Cap  
PVC



End Cap  
ABS

### End Cap

Heavy-duty design has been tested to 100 PSI. Solvent cements to pipe. Offers an economical alternative to conventional Schedule 40 DWV test caps. PVC: White in color. ABS: Black in color.

PART NUMBER	DESCRIPTION	PARTS/BAG	MSTR CTN QTY
<b>PVC</b>			
P-0071	1-1/2" PVC	100	2000
P-0072	2" PVC	100	1200
P-0073	3" PVC	25	500
P-0074	4" PVC	25	400
<b>ABS</b>			
P-0075	1-1/2" ABS	100	2000
P-0076	2" ABS	100	1200
P-0077	3" ABS	25	500
P-0078	4" ABS	25	400

Made in North America

### Wing Nut Plug

For testing all plastic, cast iron and DWV soil pipes. No tools required; extra large wing nut makes it easy to hand tighten. Reusable for greater economy. Built-in hose connection. Blue and orange in color.



Wing Nut Plug

PART NUMBER	DESCRIPTION	PARTS/BAG	MSTR CTN QTY
P-0033	1-1/2"	10	100
P-0034	2"	10	100
P-0035	3"	10	50
P-0036	4"	5	25
P-0037	6"	5	40

Made in North America

### Expansion Dollar Plug

For testing all plastic, cast iron and DWV pipes. No tools required; extra large wing nut makes it easy to hand tighten. Reusable for greater economy. Blue and orange in color.



Expansion Dollar Plug

PART NUMBER	DESCRIPTION	PARTS/BAG	MSTR CTN QTY
P-0044	1-1/2"	10	120
P-0045	2"	10	100
P-0046	3"	10	50
P-0047	4"	5	25

Made in North America



Access Panels - Plastic



Access Panels - Plastic



Foam Spacer  
FS44



In-Sul Wrap  
6200



Handi-Cap Wrap  
HCW24

### Access Panels - Plastic

Provides access to plumbing, electrical wiring, pumps on whirlpools and spas, tub/shower valve bodies, hidden shut off or regulating valves, trap primers, clean outs, etc.

- No hinges or springs, means nothing to wear out
- Textured white finish with beveled edges that can be painted
- Made of high impact plastic

PART NUMBER	SIZE I.D. W x H	SIZE O.D. W x H	MSTR CTN QTY
AP88	8" x 7.875"	11.75" x 11.75"	20
AP96	9.125" x 6.125"	12.375" x 9.5"	20
AP1212	11.375" x 11.25"	14.75" x 14.625"	20
AP1414	13.35" x 13.25"	16.75" x 16.625"	20
AP1426	13" x 25.625"	16.75" x 29.5"	10

### Foam Spacer

- Easily installed
- Keeps concrete from pipe
- Replaces Styrofoam, coffee can and duct tape
- Great labor saver – eliminates need to chip out concrete

PART NUMBER	DESCRIPTION	MSTR CTN QTY
FS44	4" High 4" x 6"	60

### In-Sul Wrap

- EASIER to install than fiberglass
- FASTER to install than duct tape
- COST of material is far below that of duct tape or fiberglass
- IN-SUL WRAP can be pinned with nails or taped for fast securing
- IN-SUL WRAP will conform to fittings and pipe using far less material compared to other wraps
- INSULATION FACTOR 0.75 per wrap

PART NUMBER	DESCRIPTION	MSTR CTN QTY
6200	3/32" x 6" x 200'	5



### Handi-Cap Wrap Multi-Purpose Foam Tape

- A closed polyethylene foam specifically designed for wrapping traps and supplies in public restroom, pipe wrap, etc.
- Pressure sensitive adhesive backing
- Full 2" adhesive coverage (will not curl)
- Installs quickly and easily
- Multi-Use / Insulation
- White color for pleasing appearance
- Meets ADA requirements
- Made in the U.S.A.

PART NUMBER	DESCRIPTION	MSTR CTN QTY
HCW24	0.125" x 2" x 40' Roll	24





**Saddle Tray**  
T1065



**Tote Tray**  
T1000



**Tote Tray**  
T1025



**Tote Tray**  
T1050



**Tote Tray**  
T1075

### Saddle Tray

- Tray and lid made of high density polyethylene
- Will not rust or corrode
- Acids, harsh chemicals and oils will not harm
- Glue will not stick to them
- Will withstand temperature from 250°F to minus 40°F
- Reinforced handle
- Snap on lid to keep parts and tools clean and dry
- Six removable dividers for compartment preference
- Sits on 2" x 4", 2" x 6" etc.

PART NUMBER	DESCRIPTION	MSTR CTN QTY
T1065	22" x 14" x 8" High w/Lid	5
T1065-L	Lid	1
T1065-XD	Dividers (1 = Pack of 6 Each)	1

Made in North America

### Tote Trays / Organizers

All trays are made of high density polyethylene. They will not rust or corrode and acids, harsh chemicals and oils will not harm them. Glue will not stick to them and they will withstand temperatures from 250°F to minus 40°F. These trays are great truck organizers and have incredible industrial strength reinforced handles.

**T1000:** Tray can be divided into compartments as small as 4.5" x 1.5". Tray comes with six dividers. Extra dividers are available at extra cost.

**T1025:** Deep handy carrier with extra duty handle. Does not have dividers like other models.

**T1050:** Tray can be divided into the same size compartments as T1000 tray, except 5" in depth. Tray comes with six dividers. Extra dividers are available at extra cost.

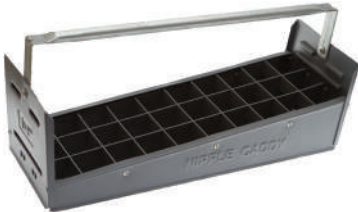
**T1075:** Just the right tray for carrying longer tools and bulky parts such as copper or galvanized fittings. This also makes an excellent nail box. Can be divided into 8 compartments 6" x 5" x 6" deep. Comes with six dividers.

PART NUMBER	DESCRIPTION	MSTR CTN QTY
T1000	15" x 9" x 3"	10
T1000-XD	T1000 Dividers	1
T1025	16-3/4" x 11-3/4" x 4-1/2"	5
T1050	15" x 9" x 5"	10
T1050-XD	T1050 Dividers (1 = Pack of 6 Each)	1
T1075	24" x 12" x 6"	5
T1075-XD	T1075 Dividers (1 = Pack of 6 Each)	1

Made in North America



Nipple Caddy  
T1007



Nipple Caddy  
T1015



Nipple Caddy  
T1057



Dirt Rider  
T1075-DR



Ladder Ledge  
T1050-LL

### Nipple Caddies

- Made of high density polyethylene
- Will withstand harsh chemicals, acids and oils
- Will not rust or corrode or cause nipples to rust
- When bent or crushed, will spring back into shape leaving no permanent damage
- Great in cold weather (material tested to minus 40°F)
- Drain holes in bottom lets caddy drain
- Strong enough to take abuse yet half the weight of metal
- Bottom design holds nipples up and keeps them out of water and other liquids
- Perfect for every plumber's truck

PART NUMBER	NIPPLE SIZE	OUTSIDE DIMENSION	MSTR CTN QTY
T1005	1/2"	11-1/4" x 7-3/4" x 8-3/4" Tall	4
T1007	3/4"	13-3/4" x 8" x 8-3/4" Tall	4
T1010	1"	15-1/4" x 8-1/4" x 8-3/4" Tall	4
T1015	1-1/2"	21-1/4" x 7-1/4" x 9-3/4" Tall	2
T1020	2"	23-1/2" x 8-3/4" x 10-1/2" Tall	2
T1057	1/2" / 3/4" Combo	18-1/2" x 8-1/4" x 8-3/4" Tall	4

Made in North America

### Dirt Rider

No more dragging tool boxes and parts through the dirt! Take all the tools and parts in one trip.

- Constructed of high molecular weight polyethylene
- Use by itself for tools and parts or snap on the popular Benjamin T1075 tote tray
- Glides over dirt on two runners
- Comes with a 6 ft. rope
- Easy to clean, simply hose off

PART NUMBER	DESCRIPTION	MSTR CTN QTY
T1075-DR	29" x 14" x 3-1/2"	5
T1075-DRTT	29" x 14" x 7" (w/T1075 Tote Tray)	1

Made in North America

### Ladder Ledge

- Keeps parts & tools within easy reach when working on a ladder
- Fits most OSHA approved step ladders
- T1050 tote tray can easily be removed from T1050 Ladder Ledge
- Will not rust or corrode
- Great for holding parts, tools, chemicals, etc.

PART NUMBER	DESCRIPTION	MSTR CTN QTY
T1050-LL	10" x 11" x 6"	5
T1050-LLTT	12" x 16" x 10" (w/T1050 Tote Tray)	1

Made in North America



Water Heater Pan – Plastic



Water Heater Pan – Undrilled



Washing Machine Saf-T-Pan

### Water Heater Pan - Plastic

- Recommended and installed by the leading plumbing contractors
- Protects against water damage caused when water heaters start leaking
- Simple to install – Just set water heater into pan when installing
- Available with or without a drain hole in the side
- Pans come with a 1" drain adapter fitting
- Pans without drain holes can be drilled in the field to allow custom placement for drain in side or bottom of pan
- Will not rust or corrode
- Round design enables pan to be installed in small areas
- Comes in six nominal sizes (20" - 22" - 24" - 26" - 28" - 30")

PART NUMBER	DESCRIPTION	MSTR CTN QTY
<b>DRILLED</b>		
WHP20-1D	20" I.D. Drilled	20
WHP22-1D	22" I.D. Drilled	20
WHP24-1D	24" I.D. Drilled	20
WHP26-1D	26" I.D. Drilled	20
WHP28-1D	28" I.D. Drilled	20
<b>UNDRILLED</b>		
WHP20-1U	20" I.D. Undrilled	20
WHP22-1U	22" I.D. Undrilled	20
WHP24-1U	24" I.D. Undrilled	20
WHP26-1U	26" I.D. Undrilled	20
WHP28-1U	28" I.D. Undrilled	20
WHP30-1U	30" I.D. Undrilled	6
<b>ADAPTER</b>		
SPF-100	1" Adapter	1

Made in North America

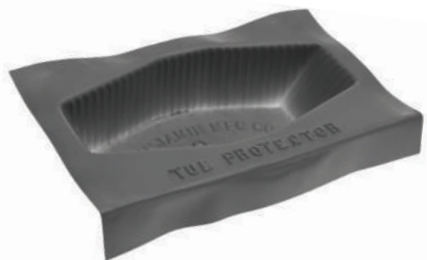
### Washing Machine Pan

Why have a leaking or overflowing washer ruin the floor?

- Made of heavy gauge high-impact plastic
- Pan will not rust or corrode
- Available with or without a drain hole in the side
- Pans come with 1" drain adapter fitting
- Different model number for each option make it easy to get the pan you want
- Pans without drain holes can be drilled in the field to allow custom placement of drain in side or bottom of pan
- O.D. Dimensions (outside at top of pan): 32-1/2" x 30-3/4" x 2-1/4"
- I.D. Dimensions (inside at bottom of pan): 30" x 28" x 1-3/4"

PART NUMBER	DESCRIPTION	MSTR CTN QTY
WMSP-1U	29" x 27" Undrilled	10
WMSP-1D	29" x 27" Drilled	10

Made in North America



Foam Bottom



Multi-Fit Shower Base Protector  
SBP-6036MF



Flex Poly



Custom Tub Protectors

**Tub Protectors**

The Original Patented Foam Based Tub Protector. An Inexpensive Way to Protect Your Valuable Tub.

- Made of heavy gauge high-impact plastic
- Soft foam bottom grips tub surface to protect finish from the abrasive action resulting from a protector moving under workman's feet
- No set up or assembly time as you just pull out of the box and drop it into the tub
- Nest together for space-saving storage
- Most durable protectors yet, can often be reused
- Fits both left and right-hand drain tubs
- Larger sizes are available and we can make custom fit protectors for larger jobs

PART NUMBER	DESCRIPTION	MSTR CTN QTY
<b>FOAM BOTTOM TUB PROTECTORS</b>		
TP6030-14	60" x 30" x 14"	35
TP6030-16	60" x 30" x 16"	35
TP6042-16	60" x 42" x 16"	25
TP6030-14-B	BULK	280
TP6030-16-B	BULK	280
<b>NO FOAM BOTTOM TUB PROTECTORS</b>		
TP6030-14-NF	60" x 30" x 14"	35
TP6030-16-NF	60" x 30" x 16"	35
TP6042-16-NF	60" x 42" x 16"	25
TP6030-14-NF-B	BULK	315
TP6030-16-NF-B	BULK	315

Made in North America

**Multi-Fit Shower Base Protector**

SBP-6036MF fits 9 sizes of shower bases

Use right out of the box for 60" x 32", 60" x 34", 60" x 36" bases -or-  
Cut off small end on left side for use in 48" x 32", 48" x 34", 48" x 36" bases -or-  
Cut off large end on right side for use in 36" x 32", 36" x 34", 36" x 36"

- Made of high impact plastic with foam pad bottom. Foam pad grips the shower base to protect finish from abrasive action.
- Nest together for space saving storage. Fits left hand, right hand or center drain pans.

PART NUMBER	DESCRIPTION	MSTR CTN QTY
SBP-6036MF	58" x 35" x 3"	50

Made in North America

**Flex Poly**

Allows you to get tub protection even on small jobs. Now you can order as few as one tub protector at a time.

- Made of flexible poly to resist mud, dirt and paint. Foam bottom to prevent scratching and abrasion.
- Folds to a carton size of 19"x 8"x 19". Comes in over 100 different shapes and sizes.

Add "-FP" to the end of the part number for Flex Poly.

**Custom & Oversized Tub Protectors**

Now offering custom and oversized protectors in hundreds of styles. Please follow the URL listed below for access to the Custom Tub Protector online order form.

**CORNER TUBS, ROUND TUBS, OVAL TUBS, RECTANGLE TUBS, HOUR GLASS TUBS, KOHLER, JACUZZI, AMERICAN STANDARD, AND MANY OTHER MANUFACTURERS**



PLEASE DOWNLOAD THE CUSTOM TUB PROTECTOR ORDER FORM AT:

[LSPproducts.com/tub-protector-form](http://LSPproducts.com/tub-protector-form)

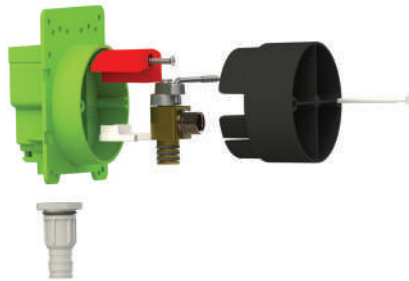
# AQUAFLO®

Aqua-Flo® has been part of the LSP family for over 30 years. As the innovation and quality standard bearer in water connectors and valves, Aqua-Flo's® performance and durability is unmatched in the market place. Aqua-Flo® developed the majority of the connectors available to the plumbing industry today. It introduced stainless steel braided connectors to the U.S. It developed the first NSF certified connector liner with its patented Ultracore® tubing to resist attacks to the connector liner from chemicals found in most modern potable water systems. As we continue to push the technological envelope on new materials, LSP has developed better and tougher corrugated stainless and copper water heater connectors.



- Pull Stop Boxes™ & Accessories ..... 39-43**
- Quarter Turn Ball Valves..... 44**
- VE Quarter Turn Ball Valves ..... 45**
- Hose End Fitting Guide & Glossary ..... 46**
- Aqua-Flo® Product Guide ..... 47**
- Flex Arrester™ Connectors..... 48**
- Polymer Push-On Valves (PVs) ..... 49**
- Water Heater Connectors..... 50-51**
- Faucet Connectors..... 52**
- Toilet Connectors..... 53**
- Washing Machine & Ice Maker Connectors ..... 54**
- Dishwasher & Specialized Connectors..... 55**



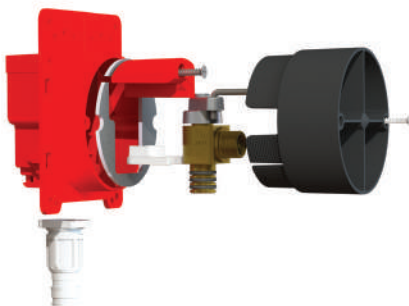


UPONOR PEX  
Pull Stop Box™  
OBPS-104-RK-LL

**Pull Stop Box™ For Lavs/Toilets, Sinks & Dishwashers**

The Pull Stop Box™ takes the hassle out of angle stop installation by eliminating the need to stub out. Moving the angle stop into the wall provides a sleek and sophisticated finished look. The decorative knob controls the flow of water to the supply line by actuating the valve in a push/pull motion. The valve can be easily replaced if needed.

PART NUMBER	DESCRIPTION	MSTR CTN QTY
<b>ROUGH-IN KITS-INCLUDES BOX, VALVE AND PROTECTIVE COVER</b>		
OBPS-101-RK-LL	1/2" Male Copper Sweat, Lead Free	10
OBPS-102-RK-LL	1/2" Male CPVC, Lead Free	10
OBPS-103-RK-LL	1/2" Crimp PEX, Lead Free	10
OBPS-104-RK-LL	1/2" UPONOR PEX, Lead Free	10
OBPS-105-RK-LL	1/2" Viega PEX, Lead Free	10
OBPS-108-RK-LL	1/2" Rehau PEX, Lead Free	10



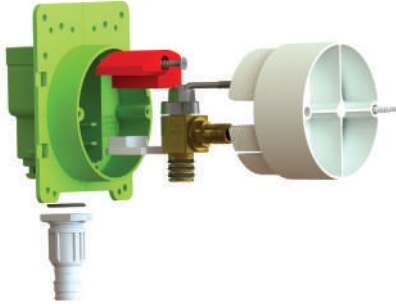
UPONOR PEX FireStop  
Pull Stop Box™  
OBFPS-104-RK-LL

**FireStop Pull Stop Box™**

The FireStop Pull Stop Box™ is constructed of fire resistant ABS with a factory mounted intumescent pad. The OBFPS series are Warnock Hersey certified to ASTM E-814 and CAN/ULC S115 with 1 hour and 2 hour listings. Suitable for wood or metal studs and for all pipe types.

PART NUMBER	DESCRIPTION	MSTR CTN QTY
<b>ROUGH-IN KITS-INCLUDES BOX, VALVE AND PROTECTIVE COVER</b>		
OBFPS-101-RK-LL	1/2" Male Copper Sweat, Lead Free	10
OBFPS-102-RK-LL	1/2" Male CPVC, Lead Free	10
OBFPS-103-RK-LL	1/2" Crimp PEX, Lead Free	10
OBFPS-104-RK-LL	1/2" UPONOR PEX, Lead Free	10
OBFPS-105-RK-LL	1/2" Viega PEX, Lead Free	10
OBFPS-108-RK-LL	1/2" Rehau PEX, Lead Free	10



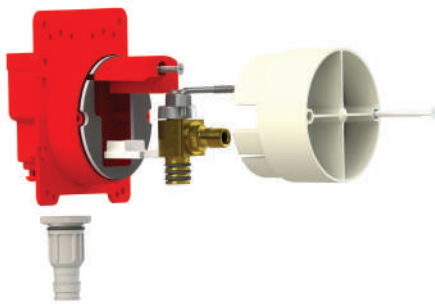


UPONOR PEX Ice Maker Pull Stop Box™  
OBPS-114-RK-LL

### Ice Maker Pull Stop Box™

The Ice Maker Pull Stop Box™ provides a sleek and sophisticated finished look. The decorative knob controls the flow of water to the supply line by actuating the valve in a push/pull motion. The box is strong, compact and cost-efficient.

PART NUMBER	DESCRIPTION	MSTR CTN QTY
<b>ROUGH-IN KITS-INCLUDES BOX, VALVE AND PROTECTIVE COVER</b>		
OBPS-111-RK-LL	1/2" Male Copper Sweat, Lead Free	10
OBPS-112-RK-LL	1/2" Male CPVC, Lead Free	10
OBPS-113-RK-LL	1/2" Crimp PEX, Lead Free	10
OBPS-114-RK-LL	1/2" UPONOR PEX, Lead Free	10
OBPS-115-RK-LL	1/2" Viega PEX, Lead Free	10
OBPS-118-RK-LL	1/2" Rehau PEX, Lead Free	10



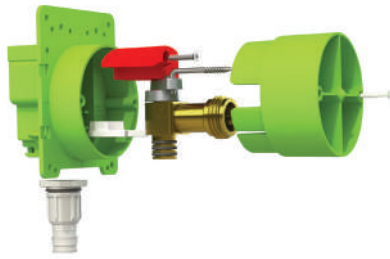
UPONOR PEX FireStop  
Ice Maker Pull Stop Box™  
OBFPS-114-RK-LL

### FireStop Ice Maker Pull Stop Box™

The FireStop Ice Maker Pull Stop Box™ is constructed of fire resistant ABS with a factory mounted intumescent pad. The OBFPS series are Warnock Hersey certified to ASTM E-814 and CAN/ULC S115 with 1 hour and 2 hour listings. Suitable for wood or metal studs and for all pipe types.

PART NUMBER	DESCRIPTION	MSTR CTN QTY
<b>ROUGH-IN KITS-INCLUDES BOX, VALVE AND PROTECTIVE COVER</b>		
OBFPS-111-RK-LL	1/2" Male Copper Sweat, Lead Free	10
OBFPS-112-RK-LL	1/2" Male CPVC, Lead Free	10
OBFPS-113-RK-LL	1/2" Crimp PEX, Lead Free	10
OBFPS-114-RK-LL	1/2" UPONOR PEX, Lead Free	10
OBFPS-115-RK-LL	1/2" Viega PEX, Lead Free	10
OBFPS-118-RK-LL	1/2" Rehau PEX, Lead Free	10





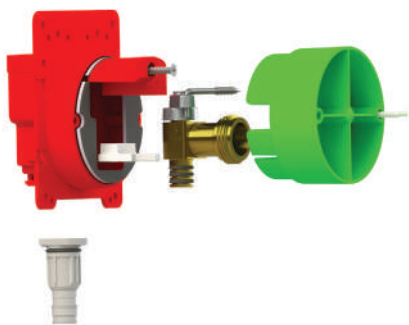
UPONOR PEX Washing Machine Pull Stop Box™  
OBPS-124-RK

### Washing Machine Pull Stop Box™

The Washing Machine Pull Stop Box™ provides a sleek and sophisticated finished look. The decorative knob controls the flow of water to the supply line by actuating the valve in a push/pull motion. The boxes are strong and compact with an adjustable layout.

PART NUMBER	DESCRIPTION	MSTR CTN QTY
<b>ROUGH-IN KITS-INCLUDES BOX, VALVE AND PROTECTIVE COVER</b>		
OBPS-121-RK	1/2" Male Copper Sweat	10
OBPS-123-RK	1/2" Crimp PEX	10
OBPS-124-RK	1/2" UPONOR PEX	10
OBPS-125-RK	1/2" Viega PEX	10
OBPS-128-RK	1/2" Rehau PEX	10
<b>ROUGH-IN KITS WITH HAMMER ARRESTER - INCLUDES TWO BOXES, VALVES, PROTECTIVE COVERS, DRAIN BOX</b>		
OBPS-122-RK-KIT	1/2" Male CPVC	5

NSF/ANSI 61



UPONOR PEX FireStop  
Washing Machine Pull Stop Box™  
OBFPS-124-RK

### FireStop Washing Machine Pull Stop Box™

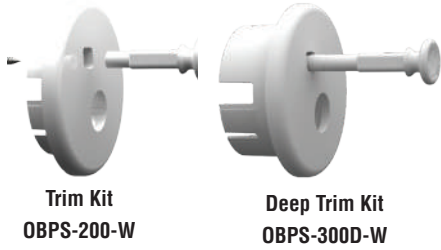
The FireStop Washing Machine Pull Stop Box™ is constructed of fire resistant ABS with a factory mounted intumescent pad. The OBFPS series are Warnock Hersey certified to ASTM E-814 and CANULC S115 with 1 hour and 2 hour listings. Suitable for wood or metal studs and for all pipe types.

PART NUMBER	DESCRIPTION	MSTR CTN QTY
<b>ROUGH-IN KITS-INCLUDES BOX, VALVE AND PROTECTIVE COVER</b>		
OBFPS-121-RK	1/2" Male Copper Sweat	10
OBFPS-122-RK	1/2" Male CPVC	10
OBFPS-124-RK	1/2" UPONOR PEX	10
OBFPS-125-RK	1/2" Viega PEX	10
OBFPS-128-RK	1/2" Rehau PEX	10
<b>ROUGH-IN KITS-INCLUDES TWO BOXES, VALVES, PROTECTIVE COVERS, DRAIN</b>		
OBFPS-122-RK-KIT-HA	1/2" Male CPVC w/Hammer Arrester	5
OBFPS-124-RK-KIT-HA	1/2" UPONOR PEX w/Hammer Arrester	5



NSF/ANSI 61





Trim Kit  
OBPS-200-W

Deep Trim Kit  
OBPS-300D-W

**Trim Kits**

PART NUMBER	DESCRIPTION	MSTR CTN QTY
<b>TRIM KITS-INCLUDES KNOB AND ESCUTCHEON</b>		
OBPS-200-W	White-Paintable	100
OBPS-200-C	Chrome	100
OBPS-200-SN	Satin Nickel	100
OBPS-200-ORB	Oil Rubbed Bronze	100
OBPS-200-W-S	White-Paintable with Screw	100
OBPS-300D-W-S	White-Paintable (Deep) with Screw	100
OBPS-300D-C	Chrome (Deep)	100
OBPS-300D-W	White-Paintable (Deep)	100
<b>TRIM KITS-INCLUDES KNOB, ESCUTCHEON, SCREWS AND CLIP</b>		
OBPS-400-W*	White-Paintable	100
OBPS-400D-W*	White-Paintable (Deep)	100
OBPS-400SD-W*	White-Paintable (Super Deep)	100

\*Designed for ice maker, dishwasher and washing machine Pull Stop Box™ applications.



OBPS-TOOL-1

OBPS-TOOL-3

**Pull Stop Box™ Tool**

Cost effective tool specifically designed to help tighten hoses onto the Pull Stop Box™ valve no matter how tight the installation. Follow hose manufacturers' instructions on how tight to make the hoses.

PART NUMBER	DESCRIPTION	MSTR CTN QTY
<b>PULL STOP™ BOX TOOLS</b>		
OBPS-TOOL-1	3/8" Comp, wrench to tighten all Toilet, Faucet and Dishwasher Pull Stop Boxes™	--
OBPS-TOOL-3	3/8" Comp, Drop Forged. Extremely durable wrench to tighten all Toilet, Faucet and Dishwasher Pull Stop Boxes™	100

**Drain Box**

The LSP Drain Box is molded from high impact plastic with error proof no-knockout drains and is an excellent accessory to the regular and FireStop Pull Stop Box™ product line. Includes threaded test plug. Available optional Condensate Stand has visible air gap. Use with Hyco Strap for top and bottom support.

PART NUMBER	DESCRIPTION	MSTR CTN QTY
<b>WASHING MACHINE DRAIN BOX</b>		
OBD-100	Washing Machine Drain	10
OBFD-100	Washing Machine Drain (Fire Rated)	10
<b>ACCESSORIES/ REPLACEMENT PARTS</b>		
P-00991	Condensate Stand	3



Washing Machine Drain  
(Fire Rated)  
OBFD-100

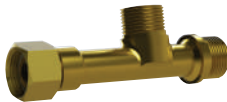


Washing Machine Drain  
OBD-100

**Pull Stop Box™ Accessories/Replacement Parts**

PART NUMBER	DESCRIPTION	MSTR CTN QTY
<b>ACCESSORIES/REPLACEMENT PARTS</b>		
OBPS-500D-W	Escutcheon and Handle Extension Kit (White, 0.8")	10
P-06878-LL	3/8" Compression, 1/4 Turn Replacement Valve, Lead Free	48
P-06879-LL	1/4" Compression, 1/4 Turn Replacement Valve, Lead Free	10
P-06881	3/4" GHT, 1/4 Turn Replacement Valve, Lead Free	120
P-06923	Escutcheon Extension Ring	1000
P-06930	Dual Escutcheon Extension Ring	2000
P-06928	2.5" Self-Tapping Screw 2 Pack	4500
P-06921	1" Self-Tapping Screw 2 Pack	5000
P-06915	Debris Cover, Black	1
P-1078-18	18" Hyco Strap	100
P-1078-26	26" Hyco Strap	100
P-06735	Tee Adaptor, Female 3/8" Compression x 2 x Male 3/8" Compression	100
P-06406*	Poly Inline Hammer Arrestor 1/2" Crimp PEX	50
P-06407*	Poly Inline Hammer Arrestor 1/2" UPONOR PEX	50

\*ASSE 1010 Compliant



Female Tee Adaptor  
P-06735



Escutcheon Extension Ring  
P-06923



Dual Escutcheon  
Extension Ring  
P-06930



Poly Inline Hammer Arrestor  
P-06406



Angle Valve  
V-104-A-LL

Lead-Free Quarter Turn Ball Valves in Straight and Angle versions make for a quick and easy shut-off. Heavy duty nickel plated brass ensures durability and ball style valve will not freeze up. PTFE seats allow for extra wear resistance and Chloramine/chlorine resistant O-rings will not break down due to oxidation.

**Lead Free Angle Valves**

PART NUMBER	INLET	OUTLET	SHELF PACK QTY
<b>NICKEL-PLATED</b>			
V-001-A-LL	5/8" O. D Compression	1/4" O.D. Compression	24
V-100-A-LL	1/2" Female Sweat	3/8" O.D. Compression	24
V-101-A-LL	5/8" O.D. Compression	3/8" O.D. Compression	24
V-102-A-LL	1/2" F.I.P.	3/8" O.D. Compression	24
V-103-A-LL	1/2" Crimp PEX	3/8" O.D. Compression	24
V-104-A-LL	1/2" UPONOR PEX	3/8" O.D. Compression	24
V-105-A-LL	3/8" F.I.P.	3/8" O.D. Compression	24
V-107-A-LL	1/2" F.I.P.	3/4" Hose Thread	24
V-108-A-LL	1/2" Rehau PEX	3/8" O.D. Compression	24
V-401-A-LL	5/8" O.D. Compression	1/2" OR 7/16" Slip Joint	24
V-402-A-LL	1/2" F.I.P.	1/2" OR 7/16" Slip Joint	24
V-500-A-LL	1/2" Female CPVC	3/8" O.D. Compression	24



Straight Valve  
V-104-S-LL

**Lead Free Straight Valves**

PART NUMBER	INLET	OUTLET	SHELF PACK QTY
<b>NICKEL-PLATED</b>			
V-100-S-LL	1/2" Female Sweat	3/8" O.D. Compression	24
V-101-S-LL	5/8" O.D. Compression	3/8" O.D. Compression	24
V-102-S-LL	1/2" F.I.P.	3/8" O.D. Compression	24
V-103-S-LL	1/2" Crimp PEX	3/8" O.D. Compression	24
V-104-S-LL	1/2" UPONOR PEX	3/8" O.D. Compression	24
V-105-S-LL	3/8" F.I.P.	3/8" O.D. Compression	24
V-108-S-LL	1/2" Rehau PEX	3/8" O.D. Compression	24
V-401-S-LL	5/8" O.D. Compression	1/2" OR 7/16" Slip Joint	24
V-402-S-LL	1/2" F.I.P.	1/2" OR 7/16" Slip Joint	24
V-500-A-LL	1/2" Female CPVC	3/8" O.D. Compression	24
V-500-S-LL	1/2" Female CPVC	3/8" O.D. Compression	24



HoseMate Valve  
V-750-S

**HoseMate Valves**

Solid brass construction. 1/4 turn only. Working pressures to 125 psi. Can be used indoors or outdoors. Attaches to garden equipment.

PART NUMBER	HANDLE	INLET X OUTLET	MSTR CTN QTY
V-750-S	Brass	3/4" F.G.H.T. x M.G.H.T.	24
<b>UNFINISHED</b>			
P-06306	Blue Handle	5/8" Compression X 3/4" M.G.H.T.	24
P-06307	Red Handle	5/8" Compression X 3/4" M.G.H.T.	24



RetroFit Valve  
V-2000-S-LL

**RetroFit Valves**

Piggyback on old adapter or connector stop. Save time - leave old parts in place. Quarter-turn shut-off.

PART NUMBER	INLET	OUTLET	MSTR CTN QTY
V-2000-S-LL	3/8" Compression H.C.	3/8" O.D. Compression	24





Crimp PEX  
VE-103-A-LL



Uponor PEX  
VE-104-S-LL

Quick and easy quarter-turn shut off. Value engineered nickel plated brass ensures durability at optimized value. Ball style will not freeze up. Innovative connection designed to eliminate additional leak paths. PTFE seats for extra wear resistance. Chloramine/chlorine resistant o-rings will not break down due to oxidation. 3/8" compression nut and ferrule sold separately if needed (P-06706). One year limited warranty.

**VE Angle Valves**

PART NUMBER	INLET	OUTLET	SHELF PACK QTY
<b>NICKEL-PLATED</b>			
VE-101-A-LL	5/8" O. D Compression	3/8" O.D. Compression	30
VE-103-A-LL	1/2" Crimp PEX	3/8" O.D. Compression	30
VE-104-A-LL	1/2" Uponor PEX	3/8" O.D. Compression	30

Lead Free NSF/ANSI 61

**VE Straight Valves**

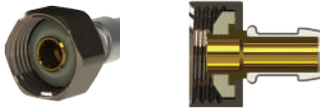
PART NUMBER	INLET	OUTLET	SHELF PACK QTY
<b>NICKEL-PLATED</b>			
VE-101-S-LL	5/8" O. D Compression	3/8" O.D. Compression	30
VE-103-S-LL	1/2" Crimp PEX	3/8" O.D. Compression	30
VE-104-S-LL	1/2" Uponor PEX	3/8" O.D. Compression	30

Lead Free NSF/ANSI 61

**VE Valve Accessories**

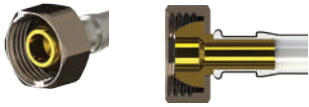
PART NUMBER	DESCRIPTION	MSTR CTN QTY
<b>ACCESSORIES/REPLACEMENT PARTS</b>		
P-06735	Tee adapter, Female 3/8" Compression x 2" x 3/8" Male Compression	100
P-06706	3/8" O.D. Compression Nut and Ferrule (1 = Pack of 30 Each)	1

Lead Free NSF/ANSI 61



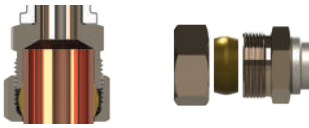
**Soft Compression Seal (S.C.)**

Uses a soft cone washer to make a water-tight seal.



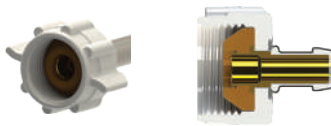
**Hard Compression Seal (H.C.)**

Metal to metal seal.



**O.D. Compression**

Uses a brass compression ring seal around the outside of a copper tube.



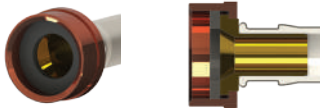
**Ballcock**

Available in either plastic or metal for toilet connection.



**Flare**

Metal to Metal tapered seal.



**Female Garden Hose Thread (F.G.H.T.)**

The same fitting as a garden hose. Uses a washer to make a water tight seal.

**Glossary Information**

S.C. = Soft Compression Seal

H.C. = Hard Compression Seal

F.I.P. = Female Iron Pipe Thread

M.I.P. = Male Iron Pipe Thread

Compr. = Unified National Threads

F.G.H.T. = Female Garden Hose Thread

M.G.H.T. = Male Garden Hose Thread

O.D. Compr. = Copper Tube Compression

All ballcocks are female and have soft cone compression washers, unless otherwise noted.





UltraCore

### UltraCore

UltraCore – The exclusive **UltraCore** barrier in the Aqua-Flo® connectors does not flake or erode and is super-resistant to chemical degradation from chemicals such as chloramine and chlorine. It can also withstand dramatic changes in water pressure. It is free of BPAs, Phthalates and leaves no trace of odors or taste in the water. **UltraCore** connectors have a unique 12-point crimp, making them far less susceptible to leaks than the standard 8-point crimp.

**Crimp Points:** 12

**Working Pressure:** 125 PSI with intermittent impulse up to 180 PSI

**Working Temperature:** 40° F with intermittent temps up to 180°F



MightyFlex

### MightyFlex

Installations are easier and faster than ever with our **MightyFlex** connectors, even in cramped conditions. They feature a reinforced PVC liner with stainless steel braid. They are chloramine and chlorine resistant and have been manufactured to withstand dramatic changes in water pressure to prevent bursting.

**MightyFlex** connectors have a unique double 12-point crimp, making them far less susceptible to leaks than the standard 8-point crimp.

**Crimp Points:** 12

**Working Pressure:** 125 PSI with intermittent impulse up to 180 PSI

**Working Temperature:** 40° F with intermittent temps up to 180°F



Braided Vinyl

### Braided Vinyl

With our reinforced PVC lined connectors, you'll never need special installation tools again. They are easy to install and require no soldering. They feature a reinforced PVC liner that is resistant chloramine and chlorine and have been manufactured to withstand dramatic changes in water pressure to prevent bursting. Connectors have a unique 12-point crimp, making them far less susceptible to leaks than the standard 8-point crimp.

**Crimp Points:** 12

**Working Pressure:** 125 PSI with intermittent impulse up to 180 PSI

**Working Temperature:** 40° F with intermittent temps up to 180°F



Ice Maker



Dishwasher  
Arrester™ is 12" from valve



Washing Machine



Elbow Adapter

**Flex Arrester™ Connectors**

Eliminate annoying and potentially dangerous water hammer when installed in Icemakers, Dishwashers, Washing Machines, Faucets and Toilets. Designed with the patented LSP Inline Hammer Arrester built into a corrosion-resistant polymer braid with Ultra Core™. Easy to install with directional Water Flow arrow clearly imprinted on the Hammer Arrester.

- Easy to install
- Size AA, ASSE 1010 Certified
- No access panel or maintenance required
- Exceeds all ASTM A112.18.6 Flow requirements
- May be installed at any angle
- 5 year warranty
- 100% Lead free compliant
- Patented Inline Hammer Arrester eliminates water hammer

**Material & Operating Specifications**

- Corrosion resistant polymer braid
- Taste and odor free patented Ultracore™ liner
- Chloramine resistant soft cones
- End Fittings and Nuts, Brass
- SS Ferrule
- Temperature: 40°F - 160°F
- Max working pressure: 125 PSI

**Maintenance & Caution**

- Keep hose assembly dry
- Do not re-use
- Inspect every six months and replace immediately in the event of leaks, wear, discoloration and any visible signs of corrosion
- Keep away from Solvents/Cements/Primers
- Keep out of constant direct sunlight
- For indoor use only

PART NUMBER	DESCRIPTION	MSTR CTN QTY
<b>ICE MAKER CONNECTOR – 60"</b>		
IMFA-160-PP	1/4" Compression H.C. x 1/4" Compression H.C.	10
<b>DISHWASHER CONNECTOR – 60"– ARRESTER IS 12" FROM VALVE</b>		
DWFA-160-PP	3/8" Compression S.C. x 3/8" Compression S.C. w/3/8" NPT 90° Elbow Adapter	10
DWFA-560-PP	3/8" Compression x 3/8" Compression w/3/4" FGHT 90° Elbow Adapter	10
<b>WASHING MACHINE CONNECTOR – 60"</b>		
WMFA-160-PP	3/8" I.D., 3/4" FGHT X 3/4" FGHT	10
<b>FAUCET CONNECTOR – 20"</b>		
FCFA-120-PP	3/8" Compression x 1/2" FIP	25

Lead Free ASSE 1010 Compliant NSF/ANSI 61

Compliances/Listings:  
 IAPMO listed to ASME A112.18.6. File 2111  
 IAPMO listed to Lead Free Plumbing Law, File 6545  
 IAPMO listed to NSF/ANSI 61, File N-6614  
 IAPMO listed to ASSE 1010, File 4541

PART NUMBER	DESCRIPTION	MSTR CTN QTY
<b>ACCESSORIES</b>		
P-06365	Male 3/8" Compression x 3/4" FGHT Elbow Adapter	100

Lead Free ASSE 1010 Compliant NSF/ANSI 61

Compliances/Listings:  
 IAPMO listed to ASME A112.18.6. File 2111  
 IAPMO listed to Lead Free Plumbing Law, File 6545  
 IAPMO listed to NSF/ANSI 61, File N-6614  
 IAPMO listed to ASSE 1010, File 4541



Polymer Push On Valve Only  
PV-100

**Polymer Push On Valves**

Designed with Chloramine resistant rubber components and connected to the patented UltraCore supply line, this angle stop allows for excellent resistance to oxidation, scaling, mineral buildup, chemicals and heat. Bulk packaged. Includes Escutcheon and Gripper Ring.

PART NUMBER	COLOR	MSTR CTN QTY
<b>1/2" PUSH ON X OUTLET 3/8" COMPRESSION</b>		
PV-100 Push On Valve Only	White	24



Polymer Push On Valves  
Toilet Connector  
PV-WC112

**Polymer Push On Valves With Integrated Supply Line (White)**

PART NUMBER	LENGTH	MSTR CTN QTY
<b>TOILET CONNECTOR 1/2" PUSH ON X 7/8" BALL COCK NUT SC</b>		
PV-WC112	12"	24
PV-WC116	16"	24
PV-WC120	20"	24
<b>FAUCET CONNECTOR 1/2" PUSH ON X 1/2" FIP SC</b>		
PV-FC112	12"	24
PV-FC116	16"	24
PV-FC120	20"	24
PV-FC130	30"	24
<b>ICE MAKER CONNECTOR 1/2" PUSH ON X 1/4" COMPRESSION</b>		
PV-IM172	72"	10
<b>DISHWASHER CONNECTOR 1/2" PUSH ON X 3/4" FGHT ELBOW</b>		
PV-DW160	60"	10

Lead Free ASSE 1061 NSF/ANSI 61



Polymer Push On Valve

**Accessories**

PART NUMBER	DESCRIPTION	MSTR CTN QTY
FTG-05-0380-L	Dishwasher – 3/8" MIP x 3/8" Compression Elbow Adapter	5000
P-06618-BW	Escutcheons, Bright White	24
P-06522	Escutcheon Grab Rings	24

Lead Free ASSE 1061 NSF/ANSI 61



**Stainless Steel Corrugated Connectors**

Chrome plated brass nut. Non-toxic and sanitary. Truly kink resistant. Flexible but durable even with multiple bends. Tube resists work hardening allowing for more flexibility and easier installation. No dielectric union required. 100% leak tested. High corrosion-resistant stainless steel.

PART NUMBER	DESCRIPTION	LENGTH	MSTR CTN QTY
WCS-112-PP	3/4" F.I.P. x 3/4" F.I.P.	12"	25
WCS-118-PP	3/4" F.I.P. x 3/4" F.I.P.	18"	25
WCS-124-PP	3/4" F.I.P. x 3/4" F.I.P.	24"	25
WCS-312-PP	1" F.I.P. x 1" F.I.P.	12"	25
WCS-318-PP	1" F.I.P. x 1" F.I.P.	18"	25
WCS-324-PP	1" F.I.P. x 1" F.I.P.	24"	25
WCS-418-PP	3/4" F.I.P. x 3/4" Copper Sweat	18"	25
WCS-424-PP	3/4" F.I.P. x 3/4" Copper Sweat	24"	25
WCS-518-PP	3/4" UPONOR PEX x 3/4" F.I.P.	18"	25
WCS-524-PP	3/4" UPONOR PEX x 3/4" F.I.P.	24"	25
WCS-718-PP	3/4" Push to Connect	18"	25
WCS-724-PP	3/4" Push to Connect	24"	25
WCS-818-PP	3/4" Crimp PEX x 3/4" F.I.P. Nut	18"	25
WCS-824-PP	3/4" Crimp PEX x 3/4" F.I.P. Nut	24"	25
WCS-924-PP	3/4" Rehau PEX x 3/4" F.I.P.	24"	25
<b>WITH SWEAT ADAPTER</b>			
WSS-112-PP	3/4" F.I.P. x 3/4" F.I.P.	12"	25
WSS-118-PP	3/4" F.I.P. x 3/4" F.I.P.	18"	25
WSS-124-PP	3/4" F.I.P. x 3/4" F.I.P.	24"	25
<b>WITH 1/4 TURN BALL VALVE</b>			
WCSV-518-PP	3/4" UPONOR PEX 1/4 Turn Ball Valve x 3/4" F.I.P.	18"	25
WCSV-524-PP	3/4" UPONOR PEX 1/4 Turn Ball Valve x 3/4" F.I.P.	24"	25
WCSV-818-PP	3/4" Crimp PEX 1/4 Turn Ball Valve x 3/4 F.I.P. Nut	18"	25
WCSV-918-PP	3/4" Crimp PEX 1/4 Turn Ball Valve x 3/4 F.I.P. Nut	18"	25
WCSV-924-PP	3/4" Rehau PEX 1/4 Turn Ball Valve x 3/4 F.I.P. Nut	24"	25

Lead Free NSF/ANSI 61





Stainless Steel Braided

**UltraCore Stainless Steel Braided**

UltraCore Liner with Stainless Steel braid. Bright nickel plated nuts with brass fittings and a double 12 point crimp.

PART NUMBER	LENGTH	MSTR CTN QTY
<b>3/4" M.I.P. X 7/8" O.D. COMPRESSION</b>		
WHC-118-PP	18"	10
<b>3/4" M.I.P. X 3/4" F.I.P.</b>		
WHF-124-PP	24"	10
<b>3/4" F.I.P. X 3/4" F.I.P.</b>		
WFF-118-PP	18"	10
WFF-124-PP	24"	10
<b>5/8" O.D. COMPRESSION X 3/4" M.I.P.</b>		
WHC-518-PP	18"	10
WHC-524-PP	24"	10
<b>3/4" M.I.P. w/DIELECTRIC INSERT X 3/4" CPVC SOCKET</b>		
WHL-2118-PP	18"	10
<b>3/4" M.I.P. w/DIELECTRIC INSERT X 3/4" PEX BARB</b>		
WHJ-2118-PP	18"	10
<b>3/4" F.I.P. X 7/8" O.D. COMPRESSION</b>		
WFC-118-PP	18"	10
WFC-124-PP	24"	10
<b>3/4" F.I.P. X 5/8" O.D. COMPRESSION</b>		
WFC-518-PP	18"	10
WFC-524-PP	24"	10

Lead Free



Copper Corrugated Connectors

**Copper Corrugated Connectors**

Annealed corrugated copper for improved flexibility and durability. Machined brass fittings with built in dielectric.

PART NUMBER	DESCRIPTION	LENGTH	MSTR CTN QTY
WCP-112-PP	3/4" F.I.P. x 3/4" F.I.P.	12"	25
WCP-118-PP	3/4" F.I.P. x 3/4" F.I.P.	18"	25
WCP-124-PP	3/4" F.I.P. x 3/4" F.I.P.	24"	25
WCP-212-PP	3/4" F.I.P. x 3/4" Sweat	12"	25
WCP-218-PP	3/4" F.I.P. x 3/4" Sweat	18"	25
WCP-224-PP	3/4" F.I.P. x 3/4" Sweat	24"	25
WCP-318-PP	3/4" F.I.P. x 3/4" PEX	18"	25

Lead Free NSF/ANSI61



MightyFlex Stainless Steel Braided



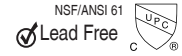
Braided Vinyl



MightyFlex Stainless Steel Braided

**MightyFlex Stainless Steel Braided - Speciality**

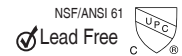
Reinforced PVC MightyFlex Liner with Stainless Braid. Bright nickel plated nuts with brass fittings and a double 12 point crimp.



PART NUMBER	LENGTH	MSTR CTN QTY
<b>3/8" COMPRESSION H.C. X 3/8" O.D. COMPRESSION</b>		
TFC-109-PP	9"	25
TFC-112-PP	12"	25
TFC-116-PP	16"	25
TFC-120-PP	20"	25

**Braided Vinyl**

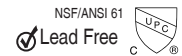
Reinforced PVC Liner. Bright nickel plated nuts with brass fittings and a double 12 point crimp. Soft cones feature a chloramine resistant washer.



PART NUMBER	LENGTH	MSTR CTN QTY
<b>1/2" F.I.P. S.C. X 3/8" COMPRESSION S.C.</b>		
VF-116-PP	16"	25
VF-120-PP	20"	25
VF-124-PP	24"	25
VF-130-PP	30"	25
<b>1/2" F.I.P. X 1/2" CONE</b>		
VF-316-PP	16"	25

**MightyFlex Stainless Steel Braided**

Reinforced PVC MightyFlex Liner with Stainless Braid. Bright nickel plated nuts with brass fittings and a double 12 point crimp. Soft Cones feature a chloramine resistant washer.



PART NUMBER	LENGTH	MSTR CTN QTY
<b>1/2" F.I.P. S.C. X 3/8" COMPRESSION S.C.</b>		
SFC-109-PP	9"	25
SFC-112-PP	12"	25
SFC-116-PP	16"	25
SFC-120-PP	20"	25
SFC-124-PP	24"	25
SFC-130-PP	30"	25
SFC-136-PP	36"	25
SFC-148-PP	48"	10
<b>1/2" F.I.P. S.C. X 1/2" COMPRESSION S.C.</b>		
SFC-312-PP	12"	25
SFC-320-PP	20"	25
<b>1/2" F.I.P. S.C. X 1/2" F.I.P. S.C.</b>		
SFC-412-PP	12"	25
SFC-416-PP	16"	25
SFC-420-PP	20"	25
SFC-424-PP	24"	25
SFC-430-PP	30"	25
SFC-436-PP	36"	10
SFC-448-PP	48"	10
<b>3/8" COMPRESSION S.C. X 3/8" COMPRESSION S.C.</b>		
SFC-506-PP	6"	25
SFC-509-PP	9"	25
SFC-512-PP	12"	25
SFC-516-PP	16"	25
SFC-520-PP	20"	25
SFC-524-PP	24"	25
SFC-530-PP	30"	25
SFC-536-PP	36"	10
SFC-548-PP	48"	10
SFC-560-PP	60"	10
SFC-572-PP	72"	10
<b>1/2" F.I.P. S.C. X 3/8" FLARE</b>		
SFF-120-PP	20"	25



MightyFlex Stainless Steel Braided

**MightyFlex Stainless Steel Braided**

Reinforced PVC MightyFlex Liner with Stainless Braid. Plastic Ballcock nut with bright nickel plated nuts on either ends with brass fittings and a double 12 point crimp. Soft cones feature a chloramine resistant washer.

PART NUMBER	LENGTH	MSTR CTN QTY
<b>7/8" BALLCOCK X 3/8" COMPRESSION S.C.</b>		
SWC-109-PP	9"	25
SWC-112-PP	12"	25
SWC-116-PP	16"	25
SWC-120-PP	20"	25
<b>7/8" BALLCOCK X 1/2" F.I.P. S. C.</b>		
SWC-412-PP	12"	25
SWC-416-PP	16"	25



MightyFlex Stainless Steel Braided - Metal Ballcock

**MightyFlex Stainless Steel Braided – Metal Ballcock**

Reinforced PVC MightyFlex Liner with Stainless Braid. Bright nickel plated nuts with brass fittings and a double 12 point crimp. Soft cones feature a chloramine resistant washer.

PART NUMBER	LENGTH	MSTR CTN QTY
<b>7/8" BALLCOCK X 3/8" COMPRESSION S.C.</b>		
SWC-512-PP	12"	25
SWC-516-PP	16"	25
SWC-520-PP	20"	25

NSF/ANSI 61



Braided Vinyl

**Braided Vinyl**

Reinforced PVC Liner. Bright nickel plated nuts with brass fitting and a double 12 point crimp. Soft cones feature a chloramine resistant washer.

PART NUMBER	LENGTH	MSTR CTN QTY
<b>7/8" POLYMER BALLCOCK X 3/8" COMPRESSION S.C.</b>		
VT-112-PP	12"	25
VT-116-PP	16"	25
<b>7/8" BRASS BALLCOCK X 3/8" COMPRESSION</b>		
VT-512-PP	12"	25





UltraCore Braided Washing Machine Connector

**UltraCore Braided Washing Machine Connectors**

UltraCore Liner with corrosion-resistant braid. Bright nickel plated nuts with brass fittings and a double 12 point crimp. Corrosion-resistant braid.

PART NUMBER	BRAIDED MATERIAL	LENGTH	MSTR CTN QTY
<b>1/2" I.D. – 3/4" F.G.H.T. X 3/4" F.G.H.T. – FOR FRONT LOAD WASHERS</b>			
WAS-148-PP	Grey PET	48"	10
WAS-160-PP	Grey PET	60"	10
WAS-172-PP	Grey PET	72"	10
WAS-174-B	Stainless Steel	74"	10
WAS-196-B	Stainless Steel	96"	10



**MightyFlex Washing Machine Connectors**

Reinforced PVC MightyFlex Liner with Stainless Steel Braid. Bright nickel plated nuts with brass fittings and 12 point crimp.

PART NUMBER	LENGTH	MSTR CTN QTY
<b>3/8" I.D. – 3/4" F.G.H.T. X 3/4" F.G.H.T. – FOR TOP LOAD WASHERS</b>		
WAS-348-PP	48"	10
WAS-360-PP	60"	10
WAS-372-PP	72"	10
<b>3/8" I.D. – 3/4" F.G.H.T. X 90° 3/4" F.G.H.T.</b>		
WAS-448-PP	48"	10
WAS-460-PP	60"	10
WAS-472-PP	72"	10
WAS-496-PP	96"	10



MightyFlex Stainless Steel Braided Ice Maker Connector

**MightyFlex Stainless Steel Braided Ice Maker Connectors**

Reinforced PVC MightyFlex Liner with Stainless Steel Braid. Bright nickel plated nuts with brass fittings and 12 point crimp.

PART NUMBER	LENGTH	MSTR CTN QTY
<b>1/4" COMPRESSION H.C. X 1/4" COMPRESSION H.C.</b>		
KDW-912-PP	12"	25
KDW-924-PP	24"	10
KDW-960-PP	60"	10
KDW-972-PP	72"	10
KDW-984-PP	84"	10
KDW-996-PP	96"	10
KDW-9120-PP	120"	10
KDW-9180-PP	180"	10

Lead Free NSF/ANSI 61



Braided Vinyl Ice Maker Connector

**Braided Vinyl Ice Maker Connectors**

Reinforced PVC Liner. Bright nickel plated nuts with brass fittings and a double 12 point crimp. Soft cones feature a chloramine resistant washer.

PART NUMBER	LENGTH	MSTR CTN QTY
<b>1/4" COMPRESSION S.C. X 1/4" COMPRESSION S.C.</b>		
VDW-972-PP	72"	10

Lead Free NSF/ANSI 61







MightyFlex Stainless Steel Braided Dishwasher Connector

### MightyFlex Stainless Steel Braided Dishwasher Connectors

Reinforced PVC MightyFlex Liner with Stainless Braid. Bright nickel plated nuts with brass fittings and a double 12 point crimp. Soft cones feature a chloramine resistant washer.

PART NUMBER	LENGTH	MSTR CTN QTY
<b>1/2" F.I.P. S.C. X 3/8" COMPRESSION H.C. w/90° 3/8" M.I.P. ELBOW ADAPTER</b>		
KDW-148-PP	48"	10
KDW-172-PP	72"	10
<b>1/2" F.I.P. S.C. X 1/2" F.I.P. S.C.</b>		
KDW-460-PP	60"	10
<b>3/8" COMPRESSION S.C. X 3/4" F.G.H.T. w/90° ELBOW</b>		
KDW-560-PP	60"	10
KDW-572-PP	72"	10
<b>3/8" COMPRESSION S.C. X 3/8" COMPRESSION H.C. w/90° 3/8" M.I.P. ELBOW ADAPTER</b>		
KDW-636-PP	36"	10
KDW-648-PP	48"	10
KDW-660-PP	60"	10
KDW-672-PP	72"	10
KDW-684-PP	84"	10
KDW-6120-PP	120"	10

Lead Free



Braided Vinyl Dishwasher Connector

### Braided Vinyl Dishwasher Connectors

Reinforced PVC Liner. Bright nickel plated nuts with brass fittings and a double 12 point crimp. Soft cones feature a chloramine resistant washer.

PART NUMBER	LENGTH	MSTR CTN QTY
<b>3/8" COMPRESSION S.C. X 3/8" COMPRESSION H.C. w/90° 3/8" NPT ELBOW ADAPTER</b>		
VDW-672-PP	72"	10
VDW-672-NE*	72"	10

\*Does not come with elbow

Lead Free NSF/ANSI 61



Elbow Adapter

### Accessories

PART NUMBER	LENGTH	MSTR CTN QTY
<b>3/8" COMPRESSION X 3/4" F.G.H.T. 90° ELBOW ADAPTER w/NUT AND WASHER</b>		
P-06365		100



UltraCore Large Diameter Connectors

### UltraCore Large Diameter Connectors

Patented UltraCore Liner with Stainless Steel Braid. Bright nickel plated nuts with brass fittings and double 12 point crimp.

PART NUMBER	LENGTH	MSTR CTN QTY
<b>LEAD FREE NICKEL PLATED OVER BRASS FITTINGS</b>		
<b>1/2" F.I.P. w/WASHER X 1/2" F.I.P. w/WASHER</b>		
PPC-118-PP	18"	10
PPC-124-PP	24"	10
<b>LEAD FREE NICKEL PLATED OVER STEEL FITTINGS</b>		
<b>1" F.I.P. w/WASHER X 1" F.I.P. w/WASHER</b>		
SFF-10012	12"	40
SFF-10018	18"	40
SFF-10024	24"	40
SFF-10036	36"	40

Lead Free NSF/ANSI 61

# insulation

Polyethylene based closed cell, flexible foam insulation provides exceptional performance for thermal insulation, shock absorption, and sound dampening. Its non-porous properties make it extremely low in water absorption and moisture vapor transmission, making it ideal for many applications. **Complies with California Title 24 requirements.**



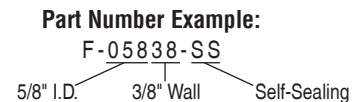
### Foam (Self-Sealing, Half-Slit)

Polyethylene foam insulation is available in a wide variety of sizes and styles. Whether you require an un-slit design for a slide on application or a peel and seal design for existing projects, LSP carries the right foam insulation product for you. Made in North America.

NOMINAL WALL THICKNESS 3/8"						
PART NUMBER (CARTON)		NOMINAL I.D.	CTS		IPS NOMINAL	FT/CTN
SELF-SEALING	HALF-SLIT		NOMINAL	O.D.		
F-05838-SS	F-05838-HS	5/8"	1/2"	5/8"	3/8"	396
F-03438-SS	F-03438-HS	3/4"	5/8"	3/4"	1/2"	300
F-07838-SS	F-07838-HS	7/8"	3/4"	7/8"		276
F-11838-SS	F-11838-HS	1-1/8"	1"	1-1/8"		222
F-13838-SS	F-13838-HS	1-3/8"	1-1/4"	1-3/8"		180
F-15838-SS	F-15838-HS	1-5/8"	1-1/2"	1-5/8"	1-1/4"	138
F-20038-SS	F-20038-HS	2"			1-1/2"	126
F-21838-SS	F-21838-HS	2-1/8"	2"	2-1/8"		96
F-23838-SS	F-23838-HS	2-3/8"			2"	84
F-25838-SS	F-25838-HS	2-5/8"	2-1/2"	2-5/8"		72
F-27838-SS	F-27838-HS	2-7/8"			2-1/2"	60
F-31238-SS	--	3-1/2"			3"	48
--	F-35838-HS	3-5/8"	3-1/2"	3-5/8"		54
F-41238-SS	--	4-1/2"			4"	36

NOMINAL WALL THICKNESS 1/2"						
PART NUMBER (CARTON)		NOMINAL I.D.	CTS		IPS NOMINAL	FT/CTN
SELF-SEALING	HALF-SLIT		NOMINAL	O.D.		
F-05812-SS	F-05812-HS	5/8"	1/2"	5/8"	3/8"	300
F-03412-SS	F-03412-HS	3/4"	5/8"	3/4"	1/2"	264
F-07812-SS	F-07812-HS	7/8"	3/4"	7/8"		240
F-10012-SS	--	1"			3/4"	210
F-11812-SS	F-11812-HS	1-1/8"	1"	1-1/8"		186
F-11412-SS	--	1-1/4"			1"	168
F-13812-SS	F-13812-HS	1-3/8"	1-1/4"	1-3/8"		150
F-15812-SS	F-15812-HS	1-5/8"	1-1/2"	1-5/8"	1-1/4"	120
F-20012-SS	F-20012-HS	2"			1-1/2"	102
F-21812-SS	F-21812-HS	2-1/8"	2"	2-1/8"		84
F-23812-SS	F-23812-HS	2-3/8"			2"	72
F-25812-SS	F-25812-HS	2-5/8"	2-1/2"	2-5/8"		60
F-27812-SS	F-27812-HS	2-7/8"			2-1/2"	54
F-31812-SS	F-31812-HS	3-1/8"	3"	3-1/8"		48
F-31212-SS	F-31212-HS	3-1/2"			3"	36
F-35812-SS	F-35812-HS	3-5/8"	3-1/2"	3-5/8"		36
F-41812-SS	F-41812-HS	4-1/8"	4"	4-1/8"		30
F-41212-SS	F-41212-HS	4-1/2"			4"	24

CTS: Copper Tube Size  
 SS: Peel & Seal Seam Closure Feature  
 HS: Half-Slit Design  
 IPS: Iron Pipe Size  
 Note: Uncommon sizes may require a longer lead time.



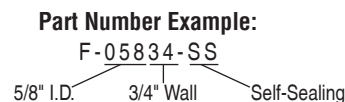
POLYETHYLENE FOAM INSULATION

NOMINAL WALL THICKNESS 3/4"						
PART NUMBER (CARTON)		NOMINAL I.D.	CTS		IPS NOMINAL	FT/CTN
SELF-SEALING	HALF-SLIT		NOMINAL	O.D.		
F-03834-SS	F-03834-HS	3/8"	1/4"	3/8"	1/8"	228
F-01234-SS	F-01234-HS	1/2"	3/8"	1/2"	1/4"	210
F-05834-SS	F-05834-HS	5/8"	1/2"	5/8"	3/8"	180
F-03434-SS	F-03434-HS	3/4"	5/8"	3/4"	1/2"	162
F-07834-SS	F-07834-HS	7/8"	3/4"	7/8"		150
F-11834-SS	F-11834-HS	1-1/8"	1"	1-1/8"		120
F-11434-SS	--	1-1/4"			1"	114
F-13834-SS	F-13834-HS	1-3/8"	1-1/4"	1-3/8"		96
F-15834-SS	F-15834-HS	1-5/8"	1-1/2"	1-5/8"	1-1/4"	84
F-20034-SS	F-20034-HS	2"			1-1/2"	66
F-21834-SS	F-21834-HS	2-1/8"	2"	2-1/8"		54
F-23834-SS	--	2-3/8"			2"	54
F-25834-SS	F-25834-HS	2-5/8"	2-1/2"	2-5/8"		48
F-31834-SS	F-31834-HS	3-1/8"	3"	3-1/8"		36
F-31234-SS	F-31234-HS	3-1/2"			3"	30
F-35834-SS	F-35834-HS	3-5/8"	3-1/2"	3-5/8"		30
F-41834-SS	F-41834-HS	4-1/8"	4"	4-1/8"		24
F-41234-SS	--	4-1/2"			4"	24

NOMINAL WALL THICKNESS 1"						
PART NUMBER (CARTON)		NOMINAL I.D.	CTS		IPS NOMINAL	FT/CTN
SELF-SEALING	HALF-SLIT		NOMINAL	O.D.		
F-05810-SS	F-05810-HS	5/8"	1/2"	5/8"	3/8"	120
F-03410-SS	F-03410-HS	3/4"	5/8"	3/4"	1/2"	120
F-07810-SS	F-07810-HS	7/8"	3/4"	7/8"		96
F-10010-SS	--	1"			3/4"	96
F-11810-SS	F-11810-HS	1-1/8"	1"	1-1/8"		84
F-13810-SS	F-13810-HS	1-3/8"	1-1/4"	1-3/8"		72
F-15810-SS	F-15810-HS	1-5/8"	1-1/2"	1-5/8"	1-1/4"	60
F-20010-SS	F-20010-HS	2"			1-1/2"	54
F-21810-SS	F-21810-HS	2-1/8"	2"	2-1/8"		54
F-23810-SS	F-23810-HS	2-3/8"			2"	42
F-25810-SS	F-25810-HS	2-5/8"	2-1/2"	2-5/8"		36
F-27810-SS	--	2-7/8"			2-1/2"	30
F-31810-SS	F-31810-HS	3-1/8"	3"	3-1/8"		24
F-31210-SS	F-31210-HS	3-1/2"			3"	24
F-35810-SS	--	3-5/8"	3-1/2"	3-5/8"		24
F-41810-SS	F-41810-HS	4-1/8"	4"	4-1/8"		24
F-41210-SS	F-41210-HS	4-1/2"			4"	18

NOMINAL WALL THICKNESS 1-1/2"						
PART NUMBER (CARTON)		NOMINAL I.D.	CTS		IPS NOMINAL	FT/CTN
SELF-SEALING	HALF-SLIT		NOMINAL	O.D.		
--	F-11815-HS	1-1/8"	1"	1-1/8"		54
--	F-13815-HS	1-3/8"	1-1/4"	1-3/8"	1"	36
--	F-15815-HS	1-5/8"	1-1/2"	1-5/8"	1-1/4"	36

CTS: Copper Tube Size  
 SS: Peel & Seal Seam Closure Feature  
 HS: Half-Slit Design  
 IPS: Iron Pipe Size  
 Note: Uncommon sizes may require a longer lead time.





# TechSpecialties®/ Frank Pattern

Tech Specialties® represents LSP's reputation for innovation in the roof drain product line. Its development of the Uni-flex™ roof drain with membrane clamps created a revolution in roof drains. Tech Specialties® carries a complete line of roof drains to meet the toughest and broadest of installations.

LSP acquired Frank Pattern which offers a broad line of cast iron drainage products. Frank Pattern has been in business since 1946, invented the "Instant Set" closet flange and was the originator of the baby blue color for cast iron drainage products. Frank Pattern™ provides LSP with a broad line of closet flanges, floor drains, shower drains, roof drains and cleanouts.



**Frank Pattern Floor Drains..... 59-62**

Floor Drains Guide ..... 59

Frank Pattern Assorted Drains..... 60

Floor Drain Dimensions .....61-62

**Frank Pattern Cleanouts..... 63-65**

Cleanouts & Floor Access Covers Guide..... 63

Cleanout Dimensions ..... 64

Cleanout Cover Plates ..... 65



**Closet Rings & Flanges ..... 66-67**

Closet Rings & Flanges Dimensions ..... 67

**Roof Drains ..... 68-73**

Roof Drains Guide..... 68

Uni-flex Drains, Accessories & Dimensions..... 69

Plastic Drains & Dimensions ..... 70

Frank Pattern Drains ..... 71

Frank Pattern Drain Dimensions ..... 72



**Deck Drains & Accessories..... 73-75**

Deck Drains & Accessories Dimensions ..... 74

**Roof Flashings & Vent Shields..... 75**

TechSpecialties®  
Frank Pattern

TABLE OF CONTENTS

**Floor Drain Guide**

**HOW TO SELECT A FLOOR DRAIN**

Floor drains are primarily used for inside locations where the flow rate into the drain can be anticipated and for the outside areas where rainfall volume dictates sizing. Drains should be selected with the sufficient top size and grate free area to pass the anticipated flow. Grate free area is defined as the total area of drainage openings in the grate. The drain outlet should be sized large enough so that it will safely pass the maximum flow through the grate, without creating buildup.

**SIZING AND LOCATION**

For most indoor installations, the grate free area should equal the transverse area of the connecting pipe. The number and location of drains are based on the configuration of the floor plan, type of operation and location of equipment. Location and number of the floor drains required can be determined only after careful review of the plans and anticipated building use.

Floor drains or area drains, when used to drain exterior areas, should have an open area equal to twice the cross section area of the connection pipe.

**RECOMMENDED GRATE OPEN AREAS FOR VARIOUS PIPE SIZES**

NOMINAL PIPE SIZE IN.	TRANSVERSE AREA OF PIPE SQ. IN.	MIN. FLOW REQUIREMENTS (INTERIOR AREAS) SQ. IN.	MAX. FLOW REQUIREMENTS (EXTERIOR AREAS) SQ. IN.
1.5	2.04	3.06	4.08
2.0	3.14	4.71	6.28
3.0	7.06	10.59	14.12
4.0	12.60	18.90	25.20

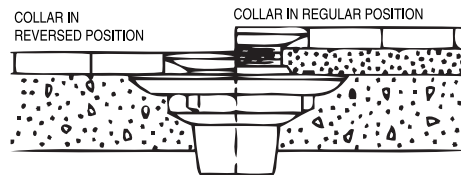
Most drains are available with nickel bronze or bronze tops to match the surrounding trim in finished areas. Usually finished areas require light duty to medium duty tops. Round and square styles are available to blend with all types of construction and floor patterns. The round top is the most flexible type since it can be easily oriented to most floor plans.

SIZE	NO-HUB
<b>MODEL NUMBERS</b>	
2"	N72
3"	N73

Trap primer tap not available on above models.

**ADJUSTABLE TOP**

Floor drains are available with over 5 round and 2 square strainer heads. Strainer heads have a 3-3/4 – 11-1/2 threaded shank which threads into the top collar. This type of drain is particularly adaptable to two pour construction, such as bathrooms, shower rooms, locker rooms and other light duty finished areas. Strainer head is easily adjusted when the tile floor is being set.



Reversible top collar permits adjustment of the strainer as low as 3/4" (measured from top of the body pan to finished floor). This low position is particularly adaptable for installation where ceramic tile is applied directly to the slab. With collar in regular position, sufficient adjustment is available for all normal two pour application. Usually the normal sand and cement fill and ceramic tile measures approximately 1-1/2". For unusually deep floor fills or unique construction, additional height can be obtained by using a suffix E x 100 extension.

**INSTANT SET® CONNECTION**

The Instant Set® connection was invented and patented in 1968. Instant Set® - the original mechanical connection - provides an easy, time saving method to seal pipes while allowing for vertical flexibility. The mechanical joint uses 3 bolts to compress a resilient rubber gasket against cast iron and plastic pipes to create a water tight seal.

SIZE	INSTANT SET®	NO-HUB
<b>MODEL NUMBERS 7"</b>		
2"	7020	N702
3"		N703

Trap primer tap available on above models.



N73W5375S



N703W5375R



30C



20SD



Floor drains are primarily used for inside locations where the flow rate into the drain can be anticipated and for the outside areas where rainfall volume can dictate sizing. Drains should be selected with the sufficient top size and grate free area to pass the anticipated flow. Grate free area is defined as the total area of the drainage openings in the grate.

Most drains are available with Nickel Bronze tops to match surrounding trim in finished areas. Usually finished areas require light duty to medium duty tops.

**Frank Pattern Floor Drains**

PART NUMBER	OUTLET SIZE	OUTLET TYPE	ROUND STRAINER	SQUARE TOP	MSTR CTN QTY
<b>7" ADJUSTABLE FLOOR DRAINS WITH NICKEL BRONZE STRAINER</b>					
N72	-	No-Hub	-	-	4
N73	-	No-Hub	-	-	4
N72W5375R	2"	No-Hub	5" Round	-	4
N73W5375R	3"	No-Hub	5" Round	-	4
N72W5375S	2"	No-Hub	-	5" Square	4
N73W5375S	3"	No-Hub	-	5" Square	4
<b>7" ADJUSTABLE FLOOR DRAINS WITH NICKEL BRONZE STRAINER AND MEMBRANE CLAMP</b>					
7020	2"	Instant Set®	-	-	4
N702W5375R	2"	No-Hub	5" Round	-	4
N703W5375R	3"	No-Hub	5" Round	-	4
7020W5375R	2"	Instant Set®	5" Round	-	4
N702W5375S	2"	No-Hub	-	5" Square	4
N703W5375S	3"	No-Hub	-	5" Square	4
7020W5375S	2"	Instant Set®	-	5" Square	4
<b>ACCESSORIES</b>					
100EX	Extension Extends 2"-4"	-	-	-	4
5375R-S&S	Plate Screen & Screws	-	-	-	1
5375R	Nickel Bronze Floor Drain Strainer Top	-	Round	-	16
5375S	Nickel Bronze Floor Drain Strainer Top	-	-	Square	16
CHR5375R	Chrome Plated Floor Drain Strainer Top	-	Round	-	16
CHR5375S	Chrome Plated Floor Drain Strainer Top	-	-	Square	16



**Frank Pattern Area Drains**

PART NUMBER	OUTLET SIZE	OUTLET TYPE	ROUND STRAINER	MSTR CTN QTY
20C	2"	Instant Set®	6"	1
30C	3"	Instant Set®	7"	1
40C	4"	Instant Set®	8"	1

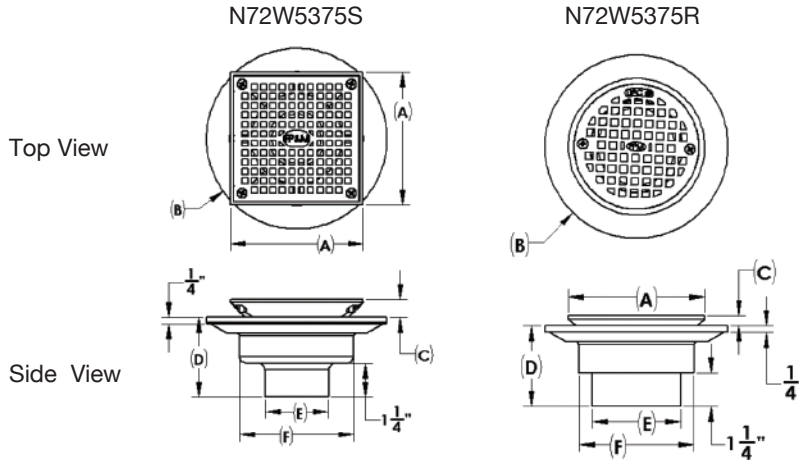


**Frank Pattern Shower Drains**

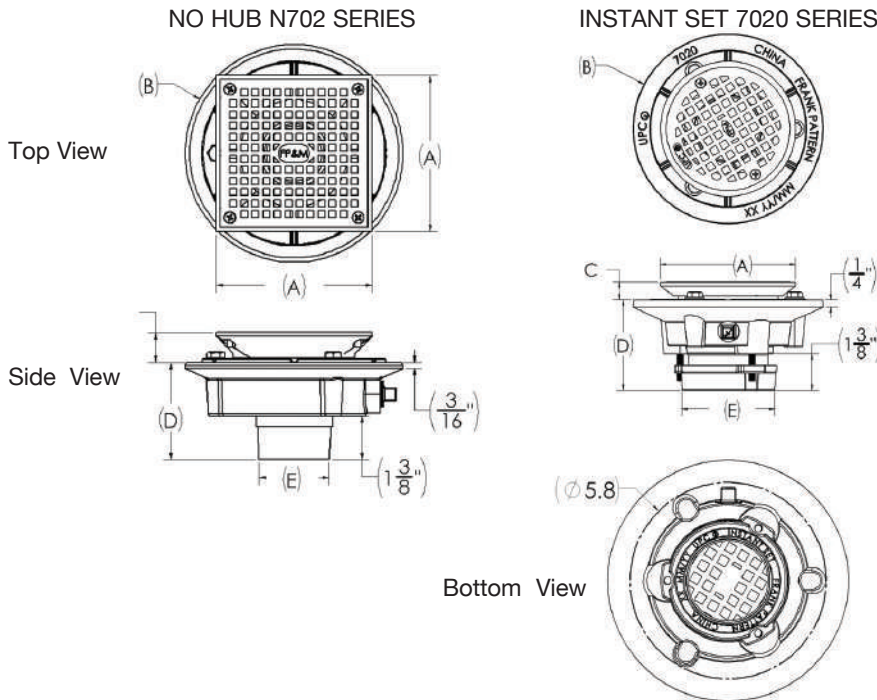
The 20SD Shower Drain was developed in 1968. At that time most of the plumbing fittings and related products were painted the standard black color. To differentiate the products from the rest of the industry's standard black color, the 20SD was painted with a light blue. Today it is recognized as "TRUE BLUE" in the industry.

PART NUMBER	OUTLET SIZE	OUTLET TYPE	STRAINER DIAMETER	MSTR CTN QTY
20SD	2"	Instant Set®	3-1/2"	4

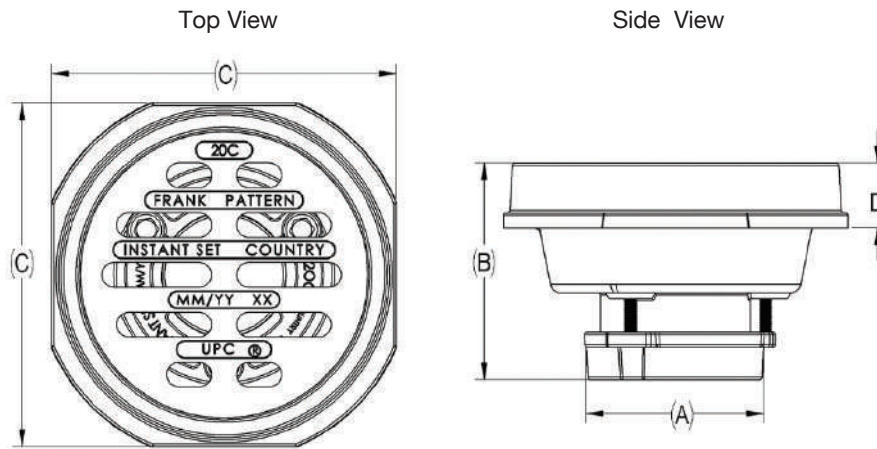




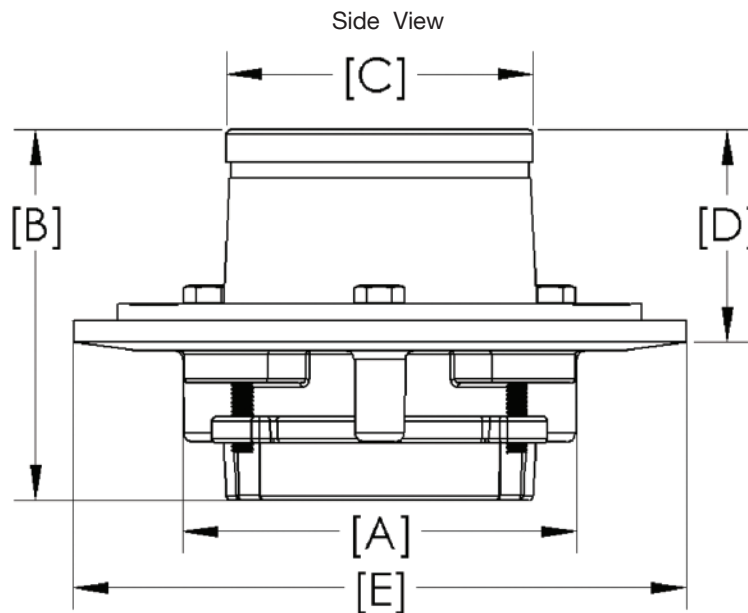
PART NUMBER	DESCRIPTION	DRAIN CONNECTION	DRAIN PIPE SIZE	DIMENSIONS (inches)						
				A	B	C (min)	C (max)	D	E	F
N72W5375R	5" Round Grate	No-Hub	2"	5-1/16"	6-13/16"	3/8"	15/16"	3"	2-3/8"	4-1/4"
N72W5375S	5" Square Grate	No-Hub	2"	5"	6-13/16"	11/16"	1-1/4"	3"	2-3/8"	4-1/4"
N73W5375R	5" Round Grate	No-Hub	3"	5-1/16"	6-13/16"	3/8"	15/16"	3"	3-5/16"	4-1/4"
N73W5375S	5" Square Grate	No-Hub	3"	5"	6-13/16"	11/16"	1-1/4"	3"	3-5/16"	4-1/4"
N72	Body Only		2"	-	6-13/16"	-	-	3"	2-3/8"	4-1/4"
N73	Body Only		3"	-	6-13/16"	-	-	3"	3-5/16"	4-1/4"



PART NUMBER	DESCRIPTION	DIMENSIONS (inches)						
		A	B	C (min)	C (max)	D	E	
7020	Body	-	7-1/8"	-	-	3-3/8"	3-1/2"	
7020W5375R	5" Round	5-1/16"	7-1/8"	9/16"	1-3/16"	3-3/8"	3-1/2"	
7020W5375S	5" Square	5"	7-1/8"	1"	1-7/16"	3-3/8"	3-1/2"	
N702	Body	-	7"	-	-	3-1/8"	2-1/4"	
N702W5375R	5" Round	5-1/16"	7"	11/16"	1-1/4"	3-1/8"	2-1/4"	
N702W5375S	5" Square	5"	7"	15/16"	1-9/16"	3-1/8"	2-1/4"	
N703	Body	-	7"	-	-	3-3/16"	3-3/8"	



PART NUMBER	NOMINAL PIPE CONNECTION	DIMENSIONS (inches)			
		A	B	C Area	D
20C	2"	3-5/8"	4-3/8"	7.21 sq. in.	1-15/16"
30C	3"	4-5/8"	4-1/4"	9.26 sq. in.	1-15/16"
40C	4"	5-1/2"	4-1/8"	14.24 sq. in.	1-15/16"



PART NUMBER	NOMINAL PIPE CONNECTION	DIMENSIONS (inches)				
		A	B	C	D	E
20SD	2"	4-1/2"	4-1/4"	3-1/2"	2-7/16"	7"



**Clean Outs**

**TRAFFIC FUNCTION:** The top specified must be strong enough to safely carry the loads of anticipated traffic. The regular nickel bronze top is a heavy duty design and can be used for all finished floor areas subject to foot and light vehicular traffic, round, heavy duty cast iron tops should be specified. LSP offers cast iron tops in heavy duty design and non-tractor type covers.

**MATERIAL:** For most finished floors, scoriated nonskid nickel bronze tops are recommended. Nickel bronze has excellent corrosion resistant qualities, is extremely serviceable, will not discolor and has an attractive surface. Nickel bronze tops will not rust stain the surrounding finished floor areas as cast iron tops sometimes do. The "scuff-buff" action adds to its appearance, giving it a soft patina. Tops are available in special polished cast bronze, for use where tops must blend with other architectural trim.

**SELECTION OF BODY:** Outlet Type bodies which are used with adjustable floor – level cleanout assemblies are available with two types of outlet connections. No-Hub and Instant Set® which can be effectively used, depending on the type of piping used in the system and compliance with plumbing code stipulations.

**Access Covers**

**SELECTION OF TOP TYPE:** For general use, the floor access covers are secured with countersunk screws. Where required, these screws may be of the vandal proof variety.

**SELECTION FOR TRAFFIC LOAD:** All floor access covers are subject to some sort of traffic. For most indoor areas which are subject to foot and light traffic, the regular scoriated nickel bronze top is recommended.

**SELECTION OF MATERIAL:** Since the floor areas are of the finished type, polished scoriated nickel bronze tops are recommended. In areas where blending with surrounding architectural trim is a requirement, polished bronze is available. CHROME PLATED BRONZE ACCESS COVER AND FRAMES ARE NEVER RECOMMENDED FOR FLOOR APPLICATIONS. For unfinished areas, heavy duty cast iron tops are recommended.



N404W4440



4440



N503W4050R



**Frank Pattern Cleanouts & Floor Access Covers**

CLEANOUTS WITH FLOOR ACCESS COVER			MSTR CTN QTY
PART NUMBER	OUTLET SIZE	OUTLET TYPE	
N404W4440	4"	No-Hub	4
N404	4"	No-Hub, Body Only	4



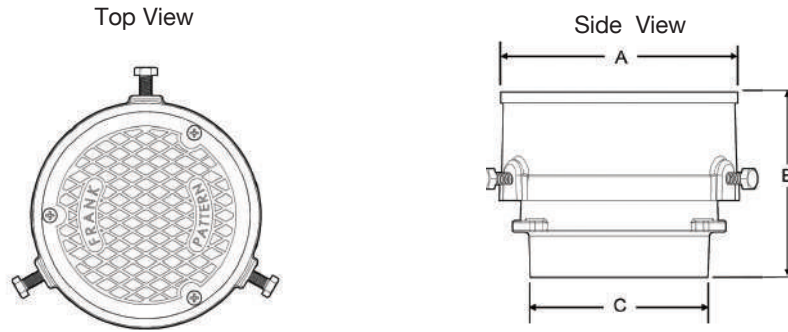
FLUSH FLOOR			MSTR CTN QTY
PART NUMBER	MATERIAL	PIPE SIZE	
4430	Iron / Brass	2" - 3"	6
4440	Iron / Brass	3" - 4"	6



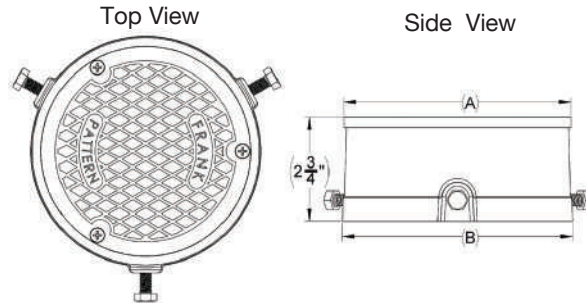
**Cast Iron Cleanouts**

NICKEL BRONZE CAST IRON FLOOR CLEANOUTS, NO HUB		MSTR CTN QTY
PART NUMBER	DESCRIPTION	
N503W4050R	3" No Hub 5" Round Top	4
N503W4050S	3" No Hub 5" Square Top	4
N504W4050R	4" No Hub 5" Round Top	4
N504W4050S	4" No Hub 5" Square Top	4

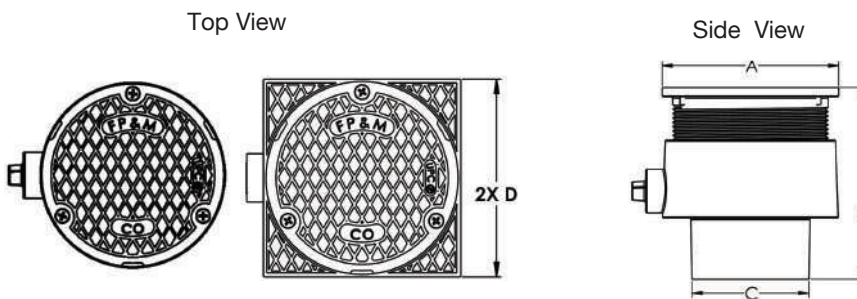




PART NUMBER	DESCRIPTION	DRAIN CONNECTION	DRAIN PIPE SIZE	DIMENSIONS (inches)			
				A	B (min)	B (max)	C
N404W4440	Cleanout w/Floor Access Cover Assembly	Set Screws	2-3"	5-1/16"	4-1/8"	5-1/4"	4-1/4"
N404	Body Only	Set Screws	2-3"	-	4-1/8"	5-1/4"	4-1/4"



PART NUMBER	DESCRIPTION	DRAIN CONNECTION	DRAIN PIPE SIZE	DIMENSIONS (inches)	
				A	B
4430	Flush Floor Cleanout Cover	Set Screws	2-3"	4-3/4"	4-7/8"
4440	Flush Floor Cleanout Cover	Set Screws	3-4"	5-7/8"	6"



PART NUMBER	DESCRIPTION	DRAIN CONNECTION	DIMENSIONS (inches)				
			A	B (min)	B (max)	C	D
N503W4050R	Adjustable Floor Cleanout w/Round Cover	3" NO HUB	5-1/16"	4-1/2"	5-1/2"	3-3/8"	N/A
N503W4050S	Adjustable Floor Cleanout w/Square Cover	3" NO HUB	N/A	4-1/2"	5-1/2"	3-3/8"	5-1/8"
N504W4050R	Adjustable Floor Cleanout w/Round Cover	4" NO HUB	5-1/16"	4-1/2"	5-1/2"	4-3/8"	N/A
N504W4050S	Adjustable Floor Cleanout w/Square Cover	4" NO HUB	N/A	4-1/2"	5-1/2"	4-3/8"	5-1/8"



Flat White



Flat Chrome



Bell White



Bell Chrome

**Cleanout Cover Plates**

- Available in chrome/matte finish (stops unsightly scratches & marks) or pure white/matte finish (paintable)
- Made of durable, high-impact plastic (will not rust or corrode)
- Provided with #14 screw (easy installation into plastic plug)
- Each cover plate is individually bagged
- High quality
- Inexpensive
- Made in North America

PART NUMBER	DESCRIPTION	FINISH	MSTR CTN QTY
<b>FLAT CLEANOUT COVER PLATES - FOR USE WHEN CLEANOUT IS WITHIN WALL CAVITY</b>			
104FC	4-1/4" Flat	Chrome	25
105FC	5-1/4" Flat	Chrome	25
107FC	7-1/4" Flat	Chrome	25
109FC	9-1/4" Flat	Chrome	10
104FW	4-1/4" Flat	White	25
105FW	5-1/4" Flat	White	25
107FW	7-1/4" Flat	White	25
109FW	9-1/4" Flat	White	10
R-1278*	4-1/2" Flat	Unplated	20
<b>BELL CLEANOUT COVER PLATES - FOR USE WHEN CLEANOUT FITTING EXTENDS OUTSIDE WALL CAVITY</b>			
104BC	4-1/4" Bell	Chrome	25
105BC	5-1/4" Bell	Chrome	25
107BC	7-1/4" Bell	Chrome	25
109BC	9-1/4" Bell	Chrome	10
104BW	4-1/4" Bell	White	25
105BW	5-1/4" Bell	White	25
107BW	7-1/4" Bell	White	25
109BW	9-1/4" Bell	White	10

\* Not Made in North America



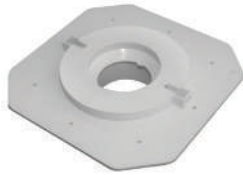
P-3006

**Stabilizer**

Ideal for wooden floors or concrete slab applications. Prevents bend or riser from moving to eliminate water closet rocking. Made in North America.



PART NUMBER	DESCRIPTION	PARTS/BAG	MSTR CTN QTY
P-3006	4" Flush	1	75



Light Pour Time-Savers Stokes-Closet Ring P-3079

**Light Pour Time-Savers Stokes Closet Ring**

Single piece ring-stabilizer. Preset closet ring heights. Special ring slot for closet bolts. Patented design. Made in North America.



PART NUMBER	DESCRIPTION	MSTR CTN QTY
P-3070	3/4" H for 3" ABS	20
P-3074	1-1/2" H for 3" ABS	20
P-3076	3/4" H for 4" ABS	20
P-3079	1" H for 4" PVC	20
P-3080	1-1/2" H for 4" ABS	20

**Frank Pattern Closet Flanges**

A cast iron closet flange for connecting water closets to a pipe which utilizes a collar squeezing a resilient gasket against the pipe to provide a water tight, mechanical seal without the problems usually associated with hot lead type of sealant. Available for 3" & 4" cast iron, and ABS pipe systems in various heights, and offset requirements.



40TCSL

PART NUMBER	DESCRIPTION	MSTR CTN QTY
30TCSL	3" x 2" Slotted Closet Ring w/ Test Cap	12
40SL	4" x 2" Slotted Closet Ring	12
40TCSL	4" x 2" Slotted Closet Ring w/Test Cap	12
44	4" x 4" Deep Closet Ring	8
46	4" x 6" Deep Closet Ring	6
OS40	4" x 2" Closet Ring 3/4 Offset, Front/Back or Side/Side	6

**Pop Up Closet Flange**

The Pop Up Closet Flange features a pop up test cap that can hold up to 6 floors of pressure and is still quickly and easily removed while not being able to fall down the drain. The test cap is below the top surface of the flange, preventing damage at the work site. It also comes with optional patented pending stainless steel reinforcing inserts to give you the strength and rigidity of a metal closet flange with the corrosion resistance of a plastic flange.

14 floor attachment holes offer options with irregular floor cutouts. Made in North America.



Pop Up Closet Flange

PART NUMBER	DESCRIPTION	MSTR CTN QTY
<b>POP UP CLOSET FLANGE 3" X 4"</b>		
P-3301	PVC w/Test Cap	24
P-3302	ABS w/Test Cap	24
P-3303	PVC w/o Test Cap	24
P-3304	ABS w/o Test Cap	24
P-3311	PVC w/SS Inserts & Test Cap	24
P-3312	ABS w/SS Inserts & Test Cap	24
P-3313	PVC w/SS Inserts No Test Cap	24
P-3314	ABS w/SS Inserts No Test Cap	24



Perfect Seal™ Toilet Wax Ring

**Toilet Installation Accessories**

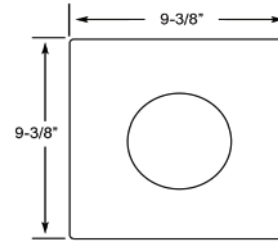
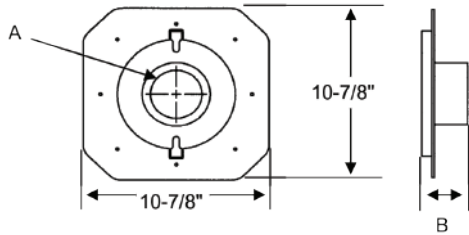


HydroSeat™ Flange Fixer

PART NUMBER	DESCRIPTION	ORDER QTY
9D0010826X	Perfect Seal™ Toilet Wax Ring w/Bolts	1
9D0010672X	HydroSeat™ Flange Fixer	1

TechSpecialties® Frank Pattern

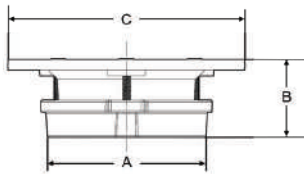
CLOSET RINGS & FLANGES



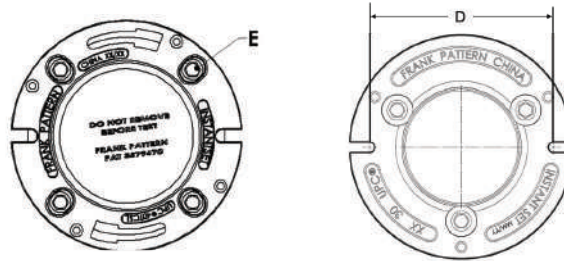
PART NUMBER	A	B
P-3070	3-1/2"	3/4"
P-3074	3-1/2"	1-1/2"
P-3076	4-1/2"	3/4"
P-3079	4-1/2"	1"
P-3080	4-1/2"	1 1/2"

PART NUMBER	DESCRIPTION
P-3006	4" Flush

Side View

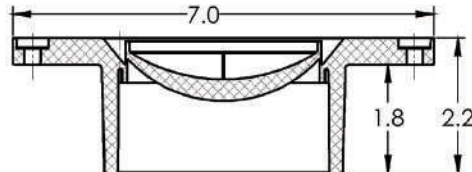


Top View



PART NUMBER	NORMAL DRAIN PIPE SIZE	DRAIN CONNECTION	DIMENSIONS (inches)			
			A	B	C	D
30	3"	Instant Set®	4-5/8"	2-1/4"	6-7/8"	5-3/4"
30TC	3"	Instant Set®	4-5/8"	2-1/4"	6-7/8"	5-3/4"
40SL	4"	Instant Set®	5-1/2"	2-1/16"	7-1/16"	5-5/8"
40TCSL	4"	Instant Set®	5-1/2"	1-7/8"	7-1/16"	6"
44	4"	Instant Set®	5-1/2"	3-7/16"	7"	5-1/2"
46	4"	Instant Set®	5-1/2"	4-13/16"	7"	5-1/2"
OS40	4"	Instant Set®	5-1/2"	2-1/8"	7-11/16"	5-3/4"

Side View



PART NUMBER	DESCRIPTION
P-3301	3" x 4" PVC with Test Cap
P-3302	3" x 4" ABS with Test Cap
P-3303	3" x 4" PVC without Test Cap
P-3304	3" x 4" ABS without Test Cap
P-3311	3" x 4" PVC w/SS Inserts & Test Cap
P-3312	3" x 4" ABS w/SS Inserts & Test Cap
P-3313	3" x 4" PVC w/SS Inserts & without Test Cap
P-3314	3" x 4" ABS w/SS Inserts & without Test Cap

**Roof Drain Guide**

**ORIGIN**

The modern roof drain must be designed to drain off rain water in the most effective manner possible while maintaining an aesthetic appeal since it is placed in full view of the public in many instances.

**HOW TO SELECT A ROOF DRAIN**

To select the proper roof drain, the following information must be determined by the specifier:

- Type of roof construction
- Roof pitch
- Volume of expected rainfall
- Desired rate of drainage
- Roof load and safety overflow requirements
- Locations of drains
- Size
- Vandal proofing

**SELECTION OF ROOF DRAIN BODY**

For a heavy rainfall region use 12" diameter type for large or small roof areas. For a light rainfall region, use 8-1/2" diameter type for small roof areas.

**SELECTING PROPER ROOF DRAIN LEADER SIZES**

1. Calculate the total roof area.
2. Determine the maximum hourly rainfall in inches. (The figure can be acquired from your local weather bureau and or local code authority.)
3. Select leader size.
4. From Table 1, determine the number of square feet that can be drained by one roof leader at the local maximum rainfall rate.
5. Divide the total roof area by the area that one leader will handle. The above result is the number of roof drains required for the building. If the result is a fraction less, use the next higher number.

**NOTE:** It can be readily seen that if 4" leaders were desired the number of roof drains required would increase to 22 drains. If a small number of roof drains are required then a larger leader would have to be chosen. Several small drains and leaders rather than one or two large drains will ensure even, safe and adequate roof drainage. Drains should be spaced for even drainage.

**CALCULATING TOTAL G.P.M.**

- G.P.M. = .0104 x R x A
- G.P.M. = Gallons per minute
- R = Rainfall Intensity (inches/hour)
- A = Roof Area (square feet)
- 0.0104 = conversion factor

**Example:** 4" rainfall with a roof area of 30,000 square feet  
 .0104 x 4" x 30,000 = 1248 G.P.M

PIPE SIZE	VERTICAL LEADER	TABLE 2 – ALLOWABLE FLOW IN G.P.M		
		HORIZONTAL STORM DRAIN SLOPE / FT		
		1/8"	1/4"	1/2"
2	30	12	17	24
3	90	36	51	72
4	192	78	111	157
5	348	142	201	284
6	566	231	327	462
8	1220	498	705	996
10	2200	902	1275	1804
12		1467	2076	2934
15		2666	3774	5332

LEADERS PIPE SIZE INCHES	SIZE OPEN AREA SQ. IN.	TABLE 1 – HOURLY RAINFALL IN INCHES									
		1	1-1/2	2	2-1/2	3	4	5	6	7	8
		ROOF AREA – SQUARE FEET									
2	3.14	2,880	1,920	1,440	1,150	960	720	575	480	410	360
3	7.06	8,880	5,860	4,400	3,520	2,930	2,200	1,760	1,470	1,260	1,100
4	12.56	18,400	12,700	9,200	7,360	6,130	4,600	3,680	3,070	2,630	2,300
5	19.60	34,600	23,050	17,300	13,840	11,530	8,650	6,920	5,765	4,945	4,325
6	28.30	54,000	36,000	27,000	21,600	18,000	13,500	10,800	9,000	7,715	6,750
8	50.25	116,000	77,400	58,000	46,400	38,680	29,000	23,200	19,315	16,570	14,500

**NOTE:** Above table is for leader sizes. Select drains with adequate open free area in proportion to the leader size and consistent with code requirements. Based on National Plumbing Code.



UNI-FLEX Roof Drain

**UNI-FLEX Roof Drain**

Accommodates single-ply, modified membranes and BUR systems. Comes with nylon grate and screw kit. One expansion coupling. One recessed clamping ring with screw kit. Deck screw kit. Dimensions: Drain/Flange: 20-1/4" x 20-1/4"; Drain Basin: 9-1/4" x 9-1/4".

PART NUMBER	DESCRIPTION	MSTR CTN QTY
T-6002	2" ABS	1
T-6003	3" ABS	1
T-6004	4" ABS	1



UNI-FLEX Roof Drain with Overflow

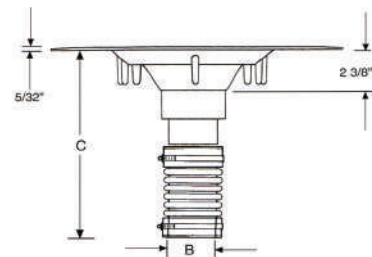
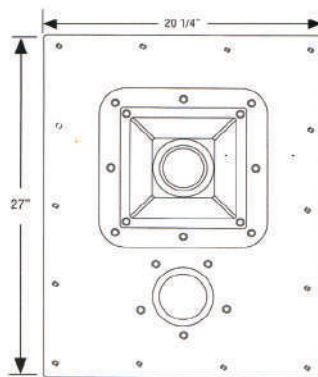
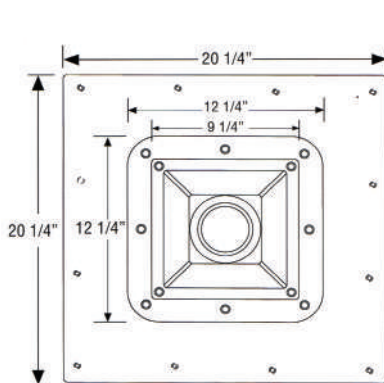
**UNI-FLEX Roof Drain with Overflow**

Accommodates single-ply, modified membranes and BUR systems. Comes with nylon round grate with screw kit. Two expansion couplings. Two clamping rings with screw kit. Deck screw kit. Dimensions: Drain/Flange" 20-1/4" x 27"; Drain Basin: 9-1/4" x 9-1/4". Overflow grate included.

PART NUMBER	DESCRIPTION	MSTR CTN QTY
T-6102	2" ABS	1
T-6103	3" ABS	1
T-6104	4" ABS	1

**UNI-FLEX Roof Drain Dimensions**

PART NUMBER	DESCRIPTION	DIMENSIONS	
		B (I.D.)	C
T-6002	2" Roof Drain	2-1/2"	10-1/2"
T-6003	3" Roof Drain	3-1/2"	11-1/2"
T-6004	4" Roof Drain	4-1/2"	10-1/2"
T-6102	2" Roof with Overflow Drain	2-1/2"	10-1/2"
T-6103	3" Roof with Overflow Drain	3-1/2"	11-1/2"
T-6104	4" Roof with Overflow Drain	4-1/2"	10-1/2"





Plastic Roof Drain with Side-Outlet

**Plastic Roof Drain with Side-Outlet**

Combines roof drain and flashing skirt. Incorporates 90 degree right angle outlet for shallow joist areas. Nylon dome grate with screw kit. One expansion coupling. Deck screw kit. Dimensions: Drain/Flange: 15-3/4" x 15-3/4"; Drain Basin: 9-1/4" x 9-1/4".

PART NUMBER	DESCRIPTION	MSTR CTN QTY	LBS
T-0050	2" ABS	1	6
T-0052	3" ABS	1	6
T-0054	4" ABS	1	7



Plastic Side-Outlet Roof Drain & Overflow

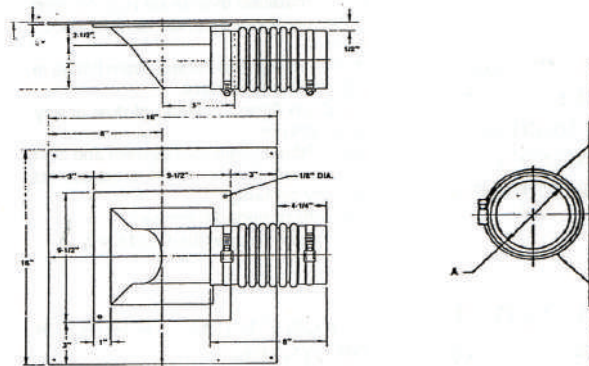
**Plastic Roof Drain with Side-Outlet & Overflow**

Combines roof drain, flashing skirt and overflow. Incorporates 90 degree right angle outlet for shallow joist areas. Nylon dome grate with screw kit. Two expansion couplings. Deck screw kit. Dimensions: Drain/Flange: 22-1/4" x 15-1/4"; Drain Basin: 9-1/4" x 9-1/4". Overflow grate included.

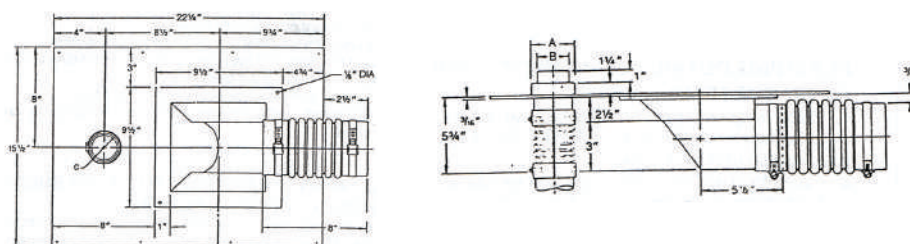
PART NUMBER	DESCRIPTION	MSTR CTN QTY
T-0020	2" ABS	1
T-0022	3" ABS	1
T-0024	4" ABS	1

**Plastic Roof Drain Dimensions**

PART NUMBER	DESCRIPTION	DIMENSIONS (inches)
		A
T-0050	2" ABS-Roof & Balcony Drain Side-Outlet	2.395"
T-0052	3" ABS-Roof & Balcony Drain Side-Outlet	3.525"
T-0054	4" ABS-Roof & Balcony Drain Side-Outlet	4.525"



PART NUMBER	DESCRIPTION	DIMENSIONS (inches)		
		A	B	C
T-0020	2" ABS-Roof Drain Side-Outlet	3.515"	2.385"	2.385"
T-0022	3" ABS-Roof Drain Side-Outlet	4.515"	3.515"	3.515"
T-0024	4" ABS-Roof Drain Side-Outlet	4.515"	3.515"	4.515"



TechSpecialties®  
Frank Pattern

ROOF DRAINS





853SN



853N



850-3N



850-041



850-003



Cast Iron Combination Roof Drain

**Frank Pattern Roof Drains**

The Roof Drain must be designed to drain off rain water in the most effective manner possible while maintaining an aesthetic appeal. To select the proper roof drain, the following information must be determined: type of roof constructions, roof pitch, volume of expected rainfall, desired rate of drainage, roof load and safety overflow requirements, location of drains and possible vandal proofing. For heavy rainfall regions, use 12" diameter type and for light rainfall regions, use 8-12" diameter type drains.

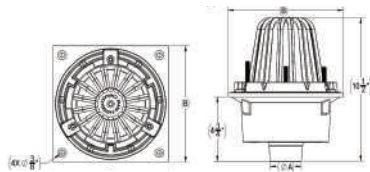
PART NUMBER	DESCRIPTION	MSTR CTN QTY
<b>ROOF DRAIN 8-1/2 SERIES / SIDE OUTLET</b>		
852SN	2" No-Hub	1
853SN	3" No-Hub	1
854SN	4" No-Hub	1
<b>ROOF DRAIN 8-1/2 SERIES / BOTTOM OUTLET</b>		
852N	2" No-Hub	1
853N	3" No-Hub	1
854N	4" No-Hub	1
<b>ROOF DRAIN OVERFLOW COMBINATION</b>		
850-2N	2" x 2" No-Hub	1
850-3N	3" x 3" No-Hub	1
850-4N	4" x 4" No-Hub	1
<b>ROOF DRAIN PARTS</b>		
850-003	Strainer Dome	4
850-006	Roof Drain Membrane Clamp - Reg	20
850-041	2" High Dam Membrane Clamp - 8"	8



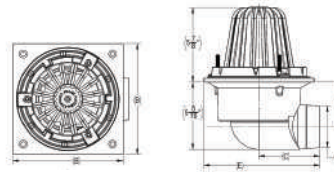
**Cast Iron Combination Roof Drain**

Cast iron membrane clamps bolt to both roof and overflow drains. Designed with their own flashing skirt. Cast iron dome grate comes standard with cast iron drains. Dual membrane clamps provide a watertight bond. Shallow bowl/sump version. Dimensions: Drain/Flange: 19-1/4" x 10-1/2". Overflow grate included.

PART NUMBER	DESCRIPTION	MSTR CTN QTY
<b>ROOF DRAIN OVERFLOW COMBINATION SHALLOW</b>		
T-0082	2" Cast Iron Combo	1
T-0083	3" Cast Iron Combo	1
T-0084	4" Cast Iron Combo	1
<b>ROOF DRAIN OVERFLOW COMBINATION DEEP</b>		
850-2N	2" x 2" No-Hub	1
850-3N	3" x 3" No-Hub	1
850-4N	4" x 4" No-Hub	1

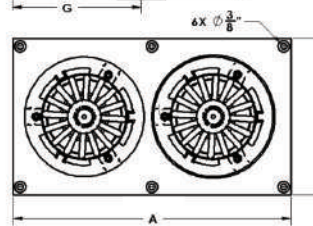
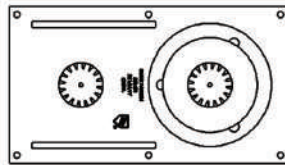
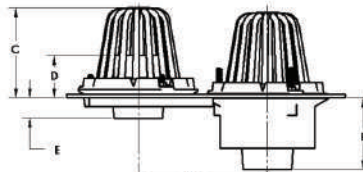
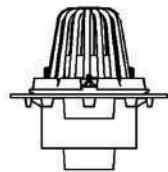


Bottom Outlet



Side Outlet

PART NUMBER	DRAIN CONNECTION	DRAIN PIPE SIZE	DIMENSIONS (inches)				
			A	B	C	D	E
852N	No-Hub	2"	2-5/16"	8-1/2"	-	-	-
852SN	No-Hub	2"	2-5/16"	8-3/4"	4-13/16"	4-1/16"	9-3/16"
853N	No-Hub	3"	3-5/16"	8-1/2"	-	-	-
853SN	No-Hub	3"	3-5/16"	8-3/4"	4-13/16"	3-1/2"	9-3/16"
854N	No-Hub	4"	4-3/8"	8-3/4"	-	-	-
854SN	No-Hub	4"	4-3/8"	8-3/4"	4-13/16"	3"	9-3/16"



Bottom View

Top View

PART NUMBER	DRAIN CONNECTION	DRAIN PIPE SIZE	DIMENSIONS (inches)						
			A	B	C	D	E	F	G
T-0082	No-Hub	2"	18-7/8"	10-5/8"	6-1/16"	2-7/8"	1-3/8"	2-7/8"	8-3/4"
T-0083	No-Hub	3"	18-7/8"	10-5/8"	6-1/16"	2-7/8"	1-3/8"	2-7/8"	8-3/4"
T-0084	No-Hub	4"	18-7/8"	10-5/8"	6-1/16"	2-7/8"	1-3/8"	2-7/8"	8-3/4"
850-2N	No-Hub	2"	18-7/8"	10-5/8"	6-1/8"	2-7/8"	1-3/8"	5"	8-3/4"
850-3N	No-Hub	3"	18-7/8"	10-5/8"	6-1/8"	2-7/8"	1-3/8"	5"	8-3/4"
850-4N	No-Hub	4"	18-7/8"	10-5/8"	6-1/8"	2-7/8"	1-3/8"	5"	8-3/4"



Plastic Adjustable Deck Drain

### Plastic Adjustable Deck Drain

Versatile design can be used as a floor, area, or deck drain. Drain body is available in 2" or 4" depth with a 2" or 3" sized outlet. Stabilizer adjusts to pour thickness and rigidly attaches drain. Comes complete with grate. Dimension: Drain/Flange: 9 3/8" x 9 3/8". Made in North America.

PART NUMBER	DESCRIPTION	MSTR CTN QTY
T-0200	4" Opening x 2" Depth x 2" Pipe	10
T-0202	4" Opening x 2" Depth x 3" Pipe	10
T-0204	4" Opening x 4" Depth x 2" Pipe	10
T-0206	4" Opening x 4" Depth x 3" Pipe	10



Copper Deck Drain

### Copper Deck Drain

Versatile design can be used as a floor drain, area drain or deck drain. No-hub adapter is made of 100% brass. Sand-blasted finish allows excellent adhesion to waterproofing systems. Dimensions: Flange 23 gauge Drain/Flange: 9" x 9" (2") 10" x 10" (3").

PART NUMBER	DESCRIPTION	MSTR CTN QTY
T-0210	2" Copper No-Hub	10
T-0211	3" Copper No-Hub	10



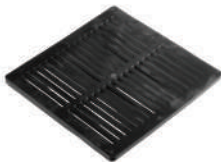
Grate - T-0300

### Grates

Choose from a wide variety of designs. Constructed of high impact plastic. Added UV inhibitors block sun's harmful rays. All models come complete with screws. Made in North America.

PART NUMBER	DESCRIPTION	MSTR CTN QTY
T-0300	9" x 9" Nylon Dome Grate w/Screw Kit	80
T-0301	9" x 9" Flat Nylon w/Screw Kit	1
T-0303	4-1/2" Flat Nylon Deck / Area Grate w/ Screw Kit	1
T-0318	9" x 9" Nylon Round Grate w/Screw Kit	1
T-7241*	8" Aluminum Dome Grate	1

\* Not made in America



Grate - T-0301

### Expansion Couplings and Overflows

Provides exceptional flexibility to reduce the damaging effects of roof expansion and contraction. Preserves downspout/drain integrity to prolong roof life and decrease possibility of leaks and callbacks. Constructed of thermoplastic rubber with stainless steel bands. For use with plastic drains only.

PART NUMBER	DESCRIPTION	MSTR CTN QTY
T-0305	2" Expansion Coupling x 7-1/2" Height	80
T-0306	3" Expansion Coupling x 8-1/4" Height	40
T-0307	4" Expansion Coupling x 9" Height	24



Grate - T-0318



Grate - T-0303

### Drain Accessories

PART NUMBER	DESCRIPTION	MSTR CTN QTY
T-0310	4-1/2" Nylon Overflow Grate	1
T-0318	Round Grate	1
P-70823	Replacement Adapter Ring	1
P-70825	2" Adapter, Overflow	1
P-70826	3" Adapter, Overflow	1

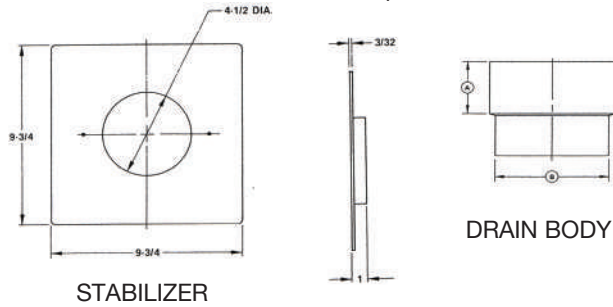
Made in North America



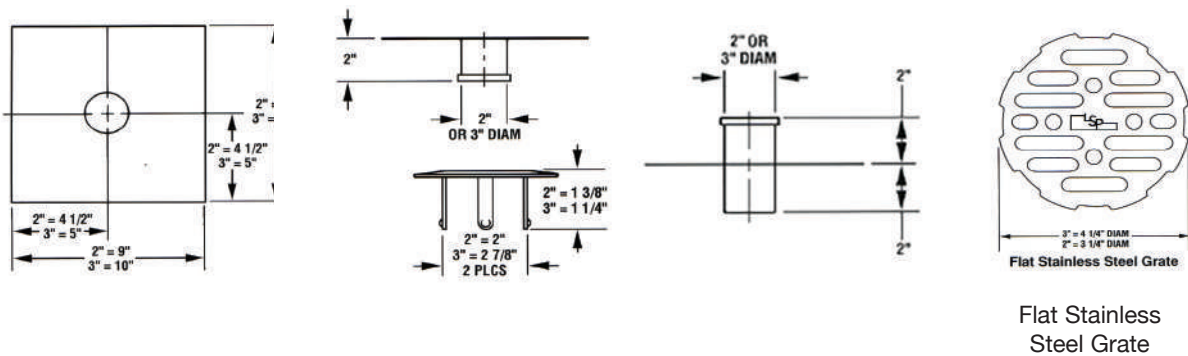
Expansion Couplings



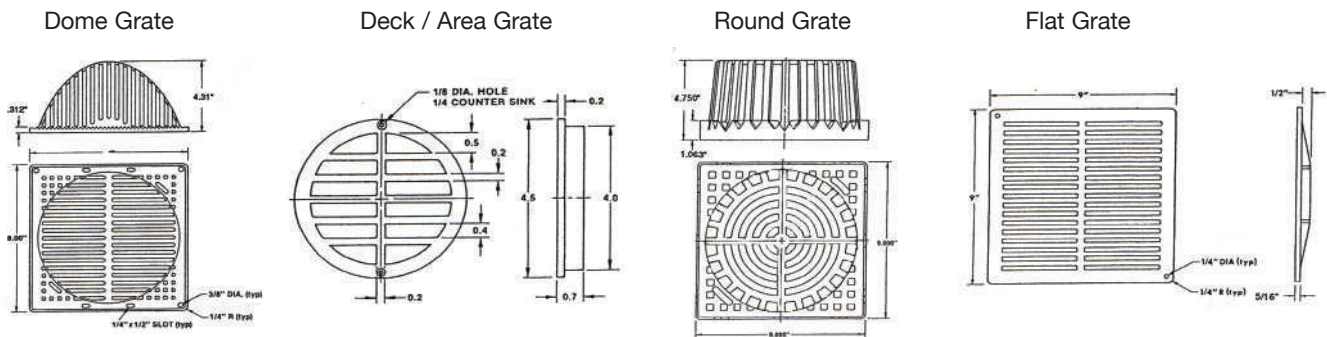
Grate free area: 6.5 square inches



PART NUMBER	DESCRIPTION	A	B
T-0200	2" Body, 2" Slip ABS-Adjustable Deck Drain	2.125	2.68
T-0202	2" Body, 3" Slip ABS-Adjustable Deck Drain	1.781	3.97
T-0204	4" Body, 2" Slip ABS-Adjustable Deck Drain	4.093	2.68
T-0206	4" Body, 3" Slip ABS-Adjustable Deck Drain	3.781	3.98



PART NUMBER	DESCRIPTION
T-0210	2" Copper Deck Drain
T-0211	3" Copper Deck Drain



PART NUMBER	DESCRIPTION	GRATES FREE AREA - SQ. IN.
T-0300	Dome Grate	55
T-0301	Flat Grate	27
T-0303	Deck / Area Grate	85
T-0318	Round Grate	85



Neo-Poly Roof Flashing

**Neo-Poly Roof Flashing**

Injection molded poly base. TPR collar molded onto base to form one-piece permanent bonding of materials. Accommodates roofs from 0 to 45 degrees. Not for hot mop applications. Eliminates leaks by compressing around the pipe, creating a watertight seal. Resists extreme weather conditions and exposure to UV light.



PART NUMBER	DESCRIPTION	PIPE SIZE	MSTR CTN QTY
P-6150	8-7/8" x 11-3/4"	1-1/4"-1-1/2"	12
P-6200	8-7/8" x 11-3/4"	2"	12
P-6300	10-3/4" x 13-5/8"	3"	12
P-6400	11-3/4" x 15-3/4"	4"	12
<b>MULTI-FIT</b>			
P-7123	10-3/4" x 13-5/8"	1-1/2", 2", 3"	12



Galvanized Roof Flashing

**Galvanized Roof Flashing**

Self-sealing design allows for pipe expansion and contraction. Resists weather and exposure to UV light. Use with ABS, PVC, galvanized and cast iron DWV pipe. 25 gauge.



PART NUMBER	DESCRIPTION	PIPE SIZE	MSTR CTN QTY
P-4030	8-3/4" x 12-5/8"	1-1/4"-1-1/2"	12
P-4031	8-3/4" x 12-5/8"	2"	12
P-4032	10-3/4" x 14-1/2"	3"	12
P-4033	11-3/4" x 15-1/2"	4"	12
<b>MULTI-FIT</b>			
P-8123	10-3/4" x 14-1/2"	1-1/2", 2", 3"	12
P-8034	11-3/4" x 15-1/2"	3", 4"	12



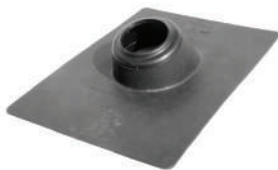
Aluminum Roof Flashing

**Aluminum Roof Flashing**

Self-sealing design allows for pipe expansion and contraction. Resists weather and exposure to UV light. Use with ABS, PVC, galvanized and cast iron DWV pipe. 25 gauge.



PART NUMBER	DESCRIPTION	PIPE SIZE	MSTR CTN QTY
P-4042	8-3/4" x 12-5/8"	1-1/4"-1-1/2"	12
P-4043	8-3/4" x 12-5/8"	2"	12
P-4044	10-3/4" x 14-1/2"	3"	12
P-4045	11-3/4" x 15-1/2"	4"	12
<b>MULTI-FIT</b>			
P-9123	10-3/4" x 14-1/2"	1-1/2", 2", 3"	12
P-9034	11-3/4" x 15-1/2"	3", 4"	12



Hard Base Poly® Roof Flashing

**Hard Base Poly® Roof Flashing**

Flexible design conforms to roof shakes, shingles, and flat tile for a universal fit. Eliminates leaks by compressing around the pipe, creating a watertight seal. Resistant to extreme weather temperatures, ultra-violet rays, moisture and salt air corrosion. Use with all plastic DWV pipe systems. Features nail holes for easy installation. Made in the U.S.A.



PART NUMBER	DESCRIPTION	PIPE SIZE	MSTR CTN QTY
P-4150	13-1/16" x 8-7/8"	1-1/2"	25
P-4200	13-1/16" x 8-7/8"	2"	25
P-4300	16-5/32" x 11-9/16"	3"	25
P-4400	16-5/32" x 11-9/16"	4"	25



Poly® Pipe Vent Shield

**Poly® Pipe Vent Shield**

Requires no tools or mastics for sealing. Constructed of durable weather resistant materials. For use with ABS, PVC, galvanized or cast iron DWV pipe. Made in North America.

PART NUMBER	DESCRIPTION	PIPE SIZE	MSTR CTN QTY
P-4190	1-1/2"	25"	300
P-4191	2"	25"	225
P-4192	3"	25"	125
P-4193	4"	25"	100

# RAPID-FIT®

Rapid Fit Bath Waste Assemblies are available as ABS, PVC or Brass 1-½" Schedule 40 kits, and designed for easy bath tub installation. Rapid Fit kits are available as Rough-In (no Finish Trim included) or Finish Assembly kits to provide installation flexibility. Rapid Fit provides a variety of Drain Stoppers and Overflow Plates with multiple trim finish options to match designer finish bath tub hardware. Rapid Fit provides rough-in test capabilities and an accessory to make the Lift & Turn Drain Stopper ADA compatible.



**Rough-In Kits..... 77**



**Finish Kits - Bath Waste Assemblies ..... 78**



**Designer Finish Trim Kits ..... 79**

**Universal Tub Drain Kits..... 80**

**Accessories ..... 81**

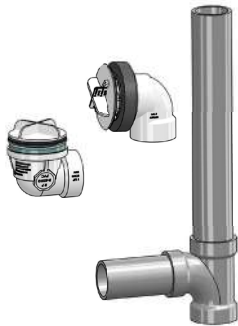




**RF-6010-RK**  
Rough-In Half Kit,  
Revolver



**RF-0468-RK**  
Rough-In Half Kit  
(Knock-out feature)



**RF-6111-RK**  
Rough-In Full Kit,  
Revolver



**RF-0910**  
Chrome Trim Kit,  
Revolver, Lift & Turn



**RF-0934**  
2 Hole plate, Lift & Turn  
Chrome

**Rough-In Kits**

Rapid Fit Rough-In assemblies with testing features. The newly designed overflow elbow with knock-out test feature now works with 1 & 2 hole overflow plates. The Revolver Overflow Elbow incorporates an integrated test feature, as well as a snap-on overflow plate. The Dual-Test feature provides overflow/drain plugs and hardware to test and then mount overflow plates. Rough-In kits are offered in ABS and PVC, half or full (includes pipe and tee) kit options.

PVC	ABS	DESCRIPTION	MSTR CTN QTY
<b>HALF KITS – INCLUDES OVERFLOW ELBOW, DRAIN ELBOW, CHROME STRAINER, GASKETS &amp; TEST CAPABILITY (NO PIPING OR TEE INCLUDED)</b>			
RF-6011-RK	RF-6010-RK	Revolver Overflow	20
RF-0468-RK	RF-0467-RK	Works with 1 & 2 Hole Overflow Plates	20



Pipe kits are sold along with our HALF KITS for 1 & 2 hole configuration needs.

PVC	ABS	DESCRIPTION	MSTR CTN QTY
<b>TEE AND PIPING KITS SOLD SEPERATELY</b>			
RF-60027	RF-60026	1-1/2" Full Pipe Kit, Works with 1 & 2 Hole Overflow Plates	--



PVC	ABS	DESCRIPTION	MSTR CTN QTY
<b>FULL KITS – INCLUDES OVERFLOW ELBOW, DRAIN ELBOW, TEE, PIPES, CHROME STRAINER, GASKETS &amp; TEST CAPABILITY</b>			
RF-6111-RK	RF-6110-RK	Revolver Overflow	20



**Rough-In Trim Kits - Chrome**

PART NUMBER	DESCRIPTION	MSTR CTN QTY
<b>TRIM KITS – INCLUDES CHROME STOPPER &amp; OVERFLOW PLATE LIFT &amp; TURN</b>		
RF-0910	Revolver Overflow	20
RF-0929	1 Hole Overflow	20
RF-0934	2 Hole Overflow	20
<b>TOE-TOUCH</b>		
RF-0916	Revolver Overflow	20





**RF-0468**  
Half Finish Kit,  
2 hole cover, Lift &  
Turn Stopper



**RF-0376-T**  
Full Finish Kit,  
1 hole cover,  
Toe-Touch Stopper



**Brass Lift & Turn**  
**RF-1154-SN**



**Brass Lift & Turn**  
**RF-1164-CR**

### PVC & ABS Bath Waste Assemblies

PVC	ABS	DESCRIPTION	MSTR CTN QTY
<b>HALF KITS – INCLUDES OVERFLOW ELBOW, DRAIN ELBOW, CHROME STRAINER, CHROME OVERFLOW PLATE, CHROME STOPPER, GASKETS &amp; TEST CAPABILITY (NO PIPING OR TEE INCLUDED)</b>			
<b>LIFT &amp; TURN</b>			
RF-6011-LT	RF-6010-LT	Revolver Overflow	20
RF-0476	RF-0475	1 Hole Overflow	20
RF-0468	RF-0467	2 Overflow	20
<b>TOE-TOUCH</b>			
RF-0476-T	RF-0475-T	1 Hole Overflow	20



PVC	ABS	DESCRIPTION	MSTR CTN QTY
<b>FULL KITS – INCLUDES OVERFLOW ELBOW, DRAIN ELBOW, TEE, PIPING, CHROME STRAINER, CHROME OVERFLOW PLATE, CHROME STOPPER, GASKETS &amp; TEST CAPABILITY</b>			
<b>LIFT &amp; TURN</b>			
RF-0376	RF-0364	1 Hole Overflow	20
RF-0466	RF-0465	2 Hole Overflow	20
<b>TOE-TOUCH</b>			
RF-0376-T	RF-0364-T	1 Hole Overflow	20



### Brass 1-1/2" Bath Waste Assemblies

1-1/2", 17 gauge, Brass Solder Kit includes overflow elbow, drain elbow, tee, piping, strainer, Revolver overflow plate, stopper, gaskets & test capability. Standard length assemblies will include Overflow to Drain Tee piping that will adjust from 12"-14" in length. Extra Long length assemblies will include Overflow to Drain Tee piping that will adjust from 19.5" - 21.5" in length.

PART NUMBER	DESCRIPTION	FINISH	MSTR CTN QTY
<b>BRASS - LIFT &amp; TURN</b>			
RF-1154-CR	17 Ga. Solder Conn., Standard	Chrome Plated	12
RF-1154-SN	17 Ga. Solder Conn., Standard	Satin Nickel Plated	12
RF-1155-CR	17 Ga. Solder Conn., Extra Long	Chrome Plated	12
RF-1155-SN	17 Ga. Solder Conn., Extra Long	Satin Nickel Plated	12
<b>BRASS - TOE TOUCH</b>			
RF-1164-CR	17 Ga. Solder Conn., Standard	Chrome Plated	12
RF-1165-CR	17 Ga. Solder Conn., Extra Long	Chrome Plated	12





**Designer Finish Trim Kits**

Designer Finish Trim Kits can be used to improve the appearance of the existing tub drains or change to a different designer finish. The newly designed push-on strainer covers are offered in designer finishes with different overflow and stopper configurations. Just remove the old stopper, insert a new drain flange and install the new stopper without removing the strainer. Kit includes - overflow plate, screws (1 or 2), push-on strainer cover and stopper.



**RF-0850-SN**  
Lift & Turn Stopper -  
Shown with 2 Hole  
Overflow Plate



**RF-0980-SN**  
Push-Pull Stopper -  
Shown with Revolver  
Overflow Plate



**RF-0760-SN**  
Toe-Touch Stopper -  
Shown with 1 Hole  
Overflow Plate

DESCRIPTION	PART NUMBER BY FINISH						MSTR CTN QTY
	CP	SN	ORB	VB	CB	MB	
<b>LIFT &amp; TURN STOPPERS</b>							
<b>REVOLVER OVERFLOW</b>	RF-0950-CP	RF-0950-SN	RF-0950-ORB	RF-0950-VB	RF-0950-CB	RF-0950-MB	10
<b>1 HOLE OVERFLOW PLATE</b>	RF-0750-CP	RF-0750-SN	RF-0750-ORB	RF-0750-VB	RF-0750-CB	RF-0750-MB	10
<b>2 HOLE OVERFLOW PLATE</b>	RF-0850-CP	RF-0850-SN	RF-0850-ORB	--	--	--	10
<b>PUSH-PULL STOPPERS</b>							
<b>REVOLVER OVERFLOW</b>	RF-0980-CP	RF-0980-SN	RF-0980-ORB	RF-0980-VB	RF-0980-CB	RF-0980-MB	10
<b>1 HOLE OVERFLOW PLATE</b>	RF-0780-CP	RF-0780-SN	RF-0780-ORB	RF-0780-VB	RF-0780-CB	RF-0780-MB	10
<b>TOE-TOUCH STOPPERS</b>							
<b>REVOLVER OVERFLOW</b>	RF-0960-CP	RF-0960-SN	RF-0960-ORB	RF-0960-VB	RF-0960-CB	RF-0960-MB	10
<b>1 HOLE OVERFLOW PLATE</b>	RF-0760-CP	RF-0760-SN	--	RF-0760-VB	RF-0760-CB	RF-0760-MB	10

CP - Chrome Plated, SN - Satin Nickel, ORB - Oil Rubbed Bronze, VB - Venetian Bronze, CB - Champagne Bronze, MB - Matte Black





**RFT-100-C**  
Tub Drain Kit

### Universal Tub Drain Kit

Our Universal tub drain kit is used with older tubs that have a smaller drain hole. The Universal tub drain kit includes a strainer adapter bushing, which allows for the use of the standard drain shoe. The included 1 hole overflow plate can replace an existing 1 or 2 hole overflow plate by using the included overflow adapter bar.

PART NUMBER	DESCRIPTION	FINISH	PACKAGING	MSTR CTN QTY
<b>KIT INCLUDES - CHROME 1-1/2" STRAINER, CHROME LIFT &amp; TURN STOPPER, CHROME 1 HOLE OVERFLOW PLATE w/SCREW, STRAINER ADAPTER BUSHING</b>				
RFT-100-C	Universal Tub Drain Kit, Chrome, 1 Hole, Lift & Turn, with thread adapter	Chrome Plated	Clamshell	20



### Universal Tub Drain Adapter Kit

Customers wanting a designer finish, other than what is offered in the RFT-100-C, can order the following adapter kit PLUS one of our Designer Finish Trim Kits offered in the Designer Finish Trim Kits section.



**RF-60045**  
Universal Tub Drain Adapter Kit

PART NUMBER	DESCRIPTION	MSTR CTN QTY
<b>KIT INCLUDES - STRAINER ADAPTER BUSHING, CHROME 1-1/2" STRAINER, TUB GASKET</b>		
RF-60045	Universal Tub Drain Adapter Kit	20



### Lift & Turn Stopper with Reversible Stem

Lift & Turn Stopper includes reversible 3/8" and 5/16" stem. Allows theft-resistant installations. Fits most non-trip lever strainers. Patented design.



**RFT-101-C**  
Stopper with Reversible Stem

PART NUMBER	FINISH	PACKAGING	MSTR CTN QTY
RFT-101-C	Chrome Plated	Clamshell	20



**RF-1287**  
Rapid Test Kit

**Rapid Test Kit**

Rapid Test Kit includes the tub drain and overflow test plugs. Used for Rough-In pressure testing of the tub drain assembly. The Overflow test plug can be used with the 1 & 2 hole overflow if the knockout is removed or damaged. The tub drain test plug can also be used to protect the tub drain strainer finish during the rough-in phase.

PART NUMBER	DESCRIPTION	MSTR CTN QTY
RF-1287	Rapid Test Kit	20



**RF-03136**  
Gasket Retainer

**Strainer Gasket Retainer**

The Gasket Retainer screws into the strainer during the rough-in installation of the drain shoe to help locate the tub drain opening and keep the tub gasket in place on the drain shoe. After the drain shoe is correctly located, the Gasket Retainer is removed and the drain strainer can be installed. A standard drain strainer tool can be used to remove the Gasket Retainer.

PART NUMBER	DESCRIPTION	MSTR CTN QTY
RF-03136	Gasket Retainer, screws into strainer	100



**RF-06702**  
ADA Cap used with Lift & Turn Stoppers

**ADA Cap used with Lift & Turn Stoppers**

The ADA Cap snaps onto the Lift & Turn Stopper making the drain stopper compliant with the Americans with Disabilities Act (ADA) requirements.

PART NUMBER	DESCRIPTION	MSTR CTN QTY
RF-06702	ADA Cap, Lift & Turn Stopper	20



ADA Cap installed onto a Lift & Turn Stopper

**Accessories**



**RF-60044**  
Strainer with Tub Gasket

PVC	ABS	DESCRIPTION	MSTR CTN QTY
<b>STRAIGHT ADAPTER WITHOUT OVERFLOW</b>			
R-60041	R-60040	Straight tub drain adapter	20



PART NUMBER	DESCRIPTION	MSTR CTN QTY
<b>CHROME PLATED STRAINER WITH TUB GASKET - CAN BE USED ALONG WITH STRAIGHT DRAIN ADAPTERS</b>		
RF-60044	Chrome Strainer w/Tub Gasket	20



## LSP ORDER, SHIPMENT AND RETURN POLICIES 2023

LSP orders may be placed by calling LSP Customer Service at **(800) 854-3215**, faxing to **(800) 243-1777** or emailing **CustomerService@LSPProducts.com**. Hours: 7am-6:30pm CST Monday-Thursday  
7am-6pm CST Friday

**Please have Account Number, Company Name, ZIP Code, PO Number and Invoice Number (if applicable) available when contacting us.**

- Orders must meet a minimum requirement of \$100 net. Exceptions will incur an additional \$25 charge.
- Hazardous materials, tub protectors, and Innofoam, must be purchased in case/bag quantity.

**Back Orders:** Occasionally, items may be temporarily back ordered. Back Ordered items will not be billed until shipped. Back orders will ship on a different invoice number.

**Will Call Orders:** Will Call Orders will only be processed after a phone call to LSP Customer Service to confirm inventory position and pick-up time. LSP Warehouse Hours are 9am-3pm local time.

**Broken Carton Orders:** A broken carton fee of \$5.00 per line item will be applied when orders do not meet case/bag quantities.

### **Shipments & Deliveries:**

- Deliveries will only be made to a physical address.
  - Orders exceeding \$2000 net are shipped "full freight allowed" (FFA i.e., LSP pays freight charges) in the Continental US and Hawaii.
- Small Order Delivery: LSP ships UPS Ground and/or FedEx for small package orders. Other methods of shipment are only available upon customer's request and expense. Please note carrier changes may add to delivery time.

**Freight Delivery:** Freight Truck deliveries will be shipped collect or prepaid. Freight Collect means freight will be billed back to the customer. Freight prepaid means LSP will prepay the freight. LSP retains the right to determine method of freight shipment. Any exceptions made at the customer's request will be at customer's expense. FFA ("full freight allowed") limits are established by LSP. We will provide 30 day notice prior to changes in amounts.

**Damages:** Damages must be reported to LSP Customer Service before refusing the shipment. If authorization is not received from Customer Service, the customer will be responsible for all freight costs to the customer and back to LSP. A 20% restocking fee on the material will also be charged on any shipment that is refused without proper, prior authorization. The material condition should be clearly written on the bill of lading as either "good" or "damaged" with the number of pieces (Ex. "1 out of 3 pieces damaged") along with the recipient's or customer's signature. If a customer has damaged material and the signed bill of lading does not state that the material was damaged upon receipt, the customer is responsible for the damaged material and should contact the carrier to file a claim. The customer must retain all packaging material for the carrier's inspection. Please note: Under no circumstances will LSP be responsible for replacement of damaged material whose signed bill of lading does not clearly state the material as "damaged" upon receipt.

**Step 1:** Inspect all material thoroughly upon receipt.

**Step 2:** Check material against packing slip for completeness.

**Step 3:** Note on bill of lading and packing slip any damaged goods or shortages with your Company Name, Receiver's Name, and overall condition of load.

**Step 4:** Call LSP Customer Service immediately when your order has been deemed "damaged" or "shorted". Please have your Pro # and/or invoice # available to reference.

**Step 5:** Call LSP Customer Service for any material that needs to be replaced due to damage.

**Shortages:** Shortage claims must be made to LSP Customer Service within seven days from the date of material receipt. It is the responsibility of the customer to inspect all material upon receipt. If a shortage has been identified, contact LSP Customer Service immediately. LSP will not be responsible for any shortage claim made after seven days from the date of material receipt.

**Returns:** We accept product returns in the original packaging up to one year from the date of purchase. To initiate a return, contact LSP Customer Service at **(800) 854-3215** to be issued written approval and provided a return goods authorization form (RGA) prior to returning material. After your return is authorized, please follow the guidelines below:

1. Simply return the material within 30 days of issuance of Return Authorization.
2. Mark all shipping documents with the RMA/RGA number provided by LSP Customer Service and include the RMA/RGA paperwork with the return.
3. Please do NOT write on any of the packaged product being returned.

Certain items may not be returned or may have specific return instructions. Credit will be allowed on material that is in its original, unopened packaging, has not been damaged or modified, is in clean salable condition, and of LSP's current manufacturing design. Credit will be issued on the basis of invoice price. A 20% restocking fee may be applied to certain returns. Custom orders including fabricated, special order, customer made-to-order factory direct items and tub protectors are non-returnable. Return shipping charges are non-refundable.

If upon inspection of the returned product, the material does not meet the requirements above, the product will be scrapped or returned to the customer at the customer's expense without issuance of credit.

#### TERMS AND CONDITIONS:

**Payments:** In order to ensure proper crediting of accounts, the customer must include remittance information with all payments. Any payment of an account sent to LSP without a remittance copy or some form of explanation, will be held. LSP terms are net 45.

**Credits:** Any claim against a bill must be made within 30 days from the due date. If there is a question or problem concerning an invoice or its charges, LSP should be contacted immediately.

**Pricing:** Prices are subject to change without notice. All orders are subject to the prices as they exist at the time of receipt of order.

**SPECIAL NOTE:** LSP reserves the right to make minor product modifications and improvements other than what is shown or described in this document without notice. LSP will not be responsible for providing improvements or updates on previous models.

#### LIMITED WARRANTY INFORMATION:

**What is covered:** For one year from the date of purchase, LSP Products Group, Inc. will replace free of charge, to the original purchaser only, any Specialty Products, Tech Specialties®, Rapid-Fit® or Aqua-Flo® product that fails due to defect in material or workmanship. At its option, LSP Products Group, Inc. will provide a full refund of the purchase price.

**What is not covered:** LSP Products Group, Inc. shall have no obligation under this warranty for leaks or damages caused by abuse, temperatures below 33°F (1°C) and above 180°F (82.2°C), misuse, accident, improper installation, sharp ends, kinking, twisting, unauthorized repair or damage that occurs during shipping. LSP Products Group, Inc. shall not be liable for any incidental or consequential damage resulting from the products or use of the product.

**THIS WARRANTY IS IN LIEU OF ALL OTHER WARRANTIES, EXPRESSED OR IMPLIED, INCLUDING BUT NOT LIMITED TO THE IMPLIED WARRANTIES OF MERCHANTABILITY AND FITNESS FOR PARTICULAR PURPOSE.** Some states do not allow the exclusive of limitation of incidental or consequential damages, so the above limitation or exclusive may not apply to you. This warranty gives you specific legal rights, and you may have other rights, which vary from state to state.

A	Area (Roof Area in Square Feet)
ABS Pipe	Acrylonitrile-Butadiene-Styrene Pipe
ASTM	American Society for Testing and Materials
C.P.	Chrome Plated
Compr.	Compression
CPVC Pipe	Chlorinated Polyvinyl Chloride Pipe
CTN	Carton
CTS	Copper Tube Size
DWV Pipe	Non-pressure (Vented) Piping Used for Drain, Waste or Vent
F.G.H.T.	Female Garden Hose Thread
FT	Feet
F.I.P.	Female Iron Pipe Thread
G.P.M.	Gallons per Minute
H.A.	Hammer Arrester
H.C.	Hard Compression Seal ( <i>Washer not included</i> )
HS	Half-Slit Design
I.D.	Inner Diameter
IPS	Iron Pipe Size
LL	Low Lead
M.G.H.T.	Male Garden Hose Thread
M.I.P.	Male Iron Pipe Thread
O.D.	Outer Diameter
PSI	Pounds per Square Inch
PVC Pipe	Polyvinyl Chloride Pipe
R	Rainfall Intensity (Inches/Hour)
S.C.	Soft Compression Seal ( <i>Washer included</i> )
SCH	Schedule
SS	Seal Seam Closure Feature
TPI	Thread per Inch

LSP INDEX	CHR5375R	60	F-15815-HS	57	F-35834-SS	57
9D0010672X	CHR5375S	60	F-15834-HS	57	F-35838-HS	56
9D0010718X	DWFA-160-PP	48	F-15834-SS	57	F-41210-HS	57
20C	DWFA-560-PP	48	F-15838-HS	56	F-41210-SS	57
20SD	F-01234-HS	57	F-15838-SS	56	F-41212-HS	56
30C	F-01234-SS	57	F-20010-HS	57	F-41212-SS	56
30SL	F-03410-HS	57	F-20010-SS	57	F-41234-SS	57
30TCSL	F-03410-SS	57	F-20012-HS	56	F-41238-SS	56
40C	F-03412-HS	56	F-20012-SS	56	F-41810-HS	57
40SL	F-03412-SS	56	F-20034-HS	57	F-41810-SS	57
40TCSL	F-03434-HS	57	F-20034-SS	57	F-41812-HS	56
44	F-03434-SS	57	F-20038-HS	56	F-41812-SS	56
46	F-03438-HS	56	F-20038-SS	56	F-41834-HS	57
100EX	F-03438-SS	56	F-21810-HS	57	F-41834-SS	57
104BC	F-03834-HS	57	F-21810-SS	57	FCFA-120-PP	48
104BW	F-03834-SS	57	F-21812-HS	56	FS44	33
104FC	F-05810-HS	57	F-21812-SS	56	FTG-05-0380-L	49
104FW	F-05810-SS	57	F-21834-HS	57	GSB-101	20
105BC	F-05812-HS	56	F-21834-SS	57	GSB-101-FX	20
105BW	F-05812-SS	56	F-21838-HS	56	GSB-201	20
105FC	F-05834-HS	57	F-21838-SS	56	GSB-501	20
105FW	F-05834-SS	57	F-23810-HS	57	GSB-501-FX	20
107BC	F-05838-HS	56	F-23810-SS	57	GSB-601	20
107BW	F-05838-SS	56	F-23812-HS	56	GSFS-101	20
107FC	F-07810-HS	57	F-23812-SS	56	GSFS-101-FX	20
107FW	F-07810-SS	57	F-23834-SS	57	GSFS-201	20
109BC	F-07812-HS	56	F-23838-HS	56	HCW24	33
109BW	F-07812-SS	56	F-23838-SS	56	IMFA-160-PP	48
109FC	F-07834-HS	57	F-25810-HS	57	KDW-148-PP	55
109FW	F-07834-SS	57	F-25810-SS	57	KDW-172-PP	55
850-2N	F-07838-HS	56	F-25812-HS	56	KDW-460-PP	55
850-003	F-07838-SS	56	F-25812-SS	56	KDW-560-PP	55
850-3N	F-10010-SS	57	F-25834-HS	57	KDW-572-PP	55
850-4N	F-10012-SS	56	F-25834-SS	57	KDW-636-PP	55
850-006	F-11412-SS	56	F-25838-HS	56	KDW-648-PP	55
850-041	F-11434-SS	57	F-25838-SS	56	KDW-660-PP	55
852N	F-11810-HS	57	F-27810-SS	57	KDW-672-PP	55
852SN	F-11810-SS	57	F-27812-HS	56	KDW-684-PP	55
853N	F-11812-HS	56	F-27812-SS	56	KDW-912-PP	54
853SN	F-11812-SS	56	F-27838-HS	56	KDW-924-PP	54
854N	F-11815-HS	57	F-27838-SS	56	KDW-960-PP	54
854SN	F-11834-HS	57	F-31210-HS	57	KDW-972-PP	54
1313	F-11834-SS	57	F-31210-SS	57	KDW-984-PP	54
1410	F-11838-HS	56	F-31212-HS	56	KDW-996-PP	54
4430	F-11838-SS	56	F-31212-SS	56	KDW-6120-PP	55
4440	F-13810-HS	57	F-31234-HS	57	KDW-9120-PP	54
5375R	F-13810-SS	57	F-31234-SS	57	KDW-9180-PP	54
5375R-S&S	F-13812-HS	56	F-31238-SS	56	N72	59, 60, 61
5375S	F-13812-SS	56	F-31810-HS	57	N72W5375R	60, 61
6200	F-13815-HS	57	F-31810-SS	57	N72W5375S	60, 61
7020	F-13834-HS	57	F-31812-HS	56	N73	59, 60, 61
7020W5375R	F-13834-SS	57	F-31812-SS	56	N73W5375R	60, 61
7020W5375S	F-13838-HS	56	F-31834-HS	57	N73W5375S	60, 61
AP88	F-13838-SS	56	F-31834-SS	57	N404	63, 64
AP96	F-15810-HS	57	F-35810-SS	57	N404W4440	63, 64
AP1212	F-15810-SS	57	F-35812-HS	56	N503W4050R	63, 64
AP1414	F-15812-HS	56	F-35812-SS	56	N503W4050S	63, 64
AP1426	F-15812-SS	56	F-35834-HS	57	N504W4050R	63, 64

N504W4050S.....	63, 64	OB-511.....	15	OB-2402.....	10	OBFPS-115-RK-LL.....	40
N702.....	59, 61	OB-512-LL.....	19	OB-2403.....	10	OBFPS-118-RK-LL.....	40
N702W5375R.....	60, 61	OB-513.....	15	OB-8000.....	16	OBFPS-121-RK.....	41
N702W5375S.....	60, 61	OB-515-LL.....	19	OB-8010-LL.....	16	OBFPS-122-RK.....	41
N703.....	59, 61	OB-516.....	15	OB-8020-LL.....	16	OBFPS-122-RK-KIT-HA.....	41
N703W5375R.....	60	OB-517.....	15	OB-8030-LL.....	16	OBFPS-124-RK.....	41
N703W5375S.....	60	OB-518-LL.....	19	OB-8031-LL.....	16	OBFPS-124-RK-KIT-HA.....	41
OB-101.....	11	OB-519.....	15	OB-8040-LL.....	16	OBFS-2000.....	14
OB-102.....	11	OB-520-LL.....	19	OB-8050-LL.....	16	OBFS-2001.....	14
OB-103.....	11	OB-525.....	14	OB-8070-LL.....	16	OBFS-2010.....	14
OB-200.....	11	OB-550.....	14	OB-8110-LL.....	16	OBFS-2011.....	14
OB-201.....	11	OB-551.....	14	OB-8120-LL.....	16	OBFS-2020.....	14
OB-202.....	11	OB-800-LL.....	17	OB-8130-LL.....	16	OBFS-2021.....	14
OB-203.....	11	OB-801-LL.....	17	OB-8140-LL.....	16	OBFS-2030.....	14
OB-207.....	12	OB-802.....	17	OB-8150-LL.....	16	OBFS-2031.....	14
OB-210.....	12	OB-803.....	17	OB-8170-LL.....	16	OBFS-2040.....	14
OB-211.....	12	OB-807-LL.....	17	OBAV-200.....	22	OBFS-2041.....	14
OB-213.....	12	OB-810-LL.....	17	OBAV-3702.....	22	OBFS-2060.....	14
OB-216.....	12	OB-811-LL.....	17	OBAV-3703.....	22	OBFS-2061.....	14
OB-217.....	12	OB-814-LL.....	17	OBD-100.....	43	OBFS-2110.....	14
OB-218.....	12	OB-817-LL.....	17	OBFD-100.....	43	OBFS-2111.....	14
OB-219.....	12	OB-818-LL.....	17	OBFOS-101.....	6	OBFS-2120.....	14
OB-237.....	12	OB-819-LL.....	17	OBFOS-102.....	6	OBFS-2121.....	14
OB-321.....	11	OB-824-LL.....	17	OBFOS-103.....	6	OBFS-2130.....	14
OB-323.....	11	OB-843.....	17	OBFOS-104.....	6	OBFS-2131.....	14
OB-325.....	11	OB-843-LL.....	17	OBFOS-105.....	6	OBFS-2137.....	14
OB-331.....	11	OB-900.....	11, 12, 22	OBFOS-108.....	6	OBFS-2160.....	14
OB-338.....	11	OB-901.....	11, 12, 22	OBFOS-110.....	6	OBFS-2161.....	14
OB-343.....	11	OB-903.....	11, 12, 22	OBFOS-111.....	6	OBFS-8000.....	18
OB-351.....	11	OB-905.....	22	OBFOS-112.....	6	OBFS-8010-LL.....	18
OB-353.....	11	OB-951.....	22	OBFOS-113.....	6	OBFS-8020-LL.....	18
OB-355.....	11	OB-1200.....	20	OBFOS-114.....	6	OBFS-8030-LL.....	18
OB-357.....	11	OB-1260.....	20	OBFOS-115.....	6	OBFS-8040-LL.....	18
OB-373.....	11	OB-1261.....	20	OBFOS-118.....	6	OBFS-8110-LL.....	18
OB-401.....	12	OB-1262.....	20	OBFOS-201.....	8	OBFS-8120-LL.....	18
OB-402.....	12	OB-2000.....	10	OBFOS-202.....	8	OBFS-8130-LL.....	18
OB-403.....	12	OB-2010.....	10	OBFOS-203.....	8	OBFS-8140-LL.....	18
OB-404.....	12	OB-2011.....	10	OBFOS-204.....	8	OBFS-8170-LL.....	18
OB-405.....	12	OB-2020.....	10	OBFOS-205.....	8	OBOS-101.....	5
OB-410-L.....	13	OB-2021.....	10	OBFOS-208.....	8	OBOS-102.....	5
OB-411-L.....	13	OB-2030.....	10	OBFOS-211.....	8	OBOS-103.....	5
OB-416-R.....	13	OB-2031.....	10	OBFOS-212.....	8	OBOS-104.....	5
OB-417-L.....	13	OB-2040.....	10	OBFOS-213.....	8	OBOS-105.....	5
OB-417-R.....	13	OB-2060.....	10	OBFOS-214.....	8	OBOS-108.....	5
OB-435.....	12	OB-2061.....	10	OBFOS-215.....	8	OBOS-110.....	6
OB-438.....	12	OB-2070.....	10	OBFOS-218.....	8	OBOS-111.....	5
OB-439.....	12	OB-2071.....	10	OBFOS-301.....	9	OBOS-112.....	5
OB-500.....	14	OB-2110.....	10	OBFOS-303.....	9	OBOS-113.....	5
OB-501.....	14	OB-2111.....	10	OBFPS-101-RK-LL.....	39	OBOS-114.....	5
OB-502.....	14	OB-2120.....	10	OBFPS-102-RK-LL.....	39	OBOS-115.....	5
OB-503.....	19	OB-2121.....	10	OBFPS-103-RK-LL.....	39	OBOS-118.....	5
OB-504-LL.....	19	OB-2130.....	10	OBFPS-104-RK-LL.....	39	OBOS-201.....	7
OB-505.....	14	OB-2131*.....	10	OBFPS-105-RK-LL.....	39	OBOS-202.....	7
OB-506.....	14	OB-2141.....	10	OBFPS-108-RK-LL.....	39	OBOS-203.....	7
OB-507-LL.....	19	OB-2160.....	10	OBFPS-111-RK-LL.....	40	OBOS-204.....	7
OB-508.....	15	OB-2170.....	10	OBFPS-112-RK-LL.....	40	OBOS-205.....	7
OB-509-LL.....	19	OB-2400.....	10	OBFPS-113-RK-LL.....	40	OBOS-208.....	7
OB-510.....	15	OB-2401.....	10	OBFPS-114-RK-LL.....	40	OBOS-211.....	7



OBOS-212.....7	P-0036.....32	P-2029.....26	P-3311.....66, 67
OBOS-213.....7	P-0037.....32	P-2031.....26	P-3312.....66, 67
OBOS-214.....7	P-0038.....31	P-2032.....26	P-3313.....66, 67
OBOS-215.....7	P-0039.....31	P-2033.....26	P-3314.....66, 67
OBOS-218.....7	P-0040.....31	P-2041.....26	P-3700.....22
OBOS-301.....9	P-0044.....32	P-2042.....26	P-3701.....22
OBOS-303.....9	P-0045.....32	P-2043.....26	P-3702.....22
OBOS-900.....9, 22	P-0046.....32	P-2044.....26	P-3703.....22
OBPS-101-RK-II.....39	P-0047.....32	P-2045.....26	P-3704.....22
OBPS-102-RK-II.....39	P-0071.....32	P-2046.....26	P-3705.....22
OBPS-103-RK-II.....39	P-0072.....32	P-2056.....26	P-3706.....22
OBPS-104-RK-II.....39	P-0073.....32	P-2058.....26	P-4030.....75
OBPS-105-RK-II.....39	P-0074.....32	P-2060.....26	P-4031.....75
OBPS-108-RK-II.....39	P-0075.....32	P-2062.....26	P-4032.....75
OBPS-111-RK-LL.....40	P-0076.....32	P-2063.....26	P-4033.....75
OBPS-112-RK-LL.....40	P-0077.....32	P-2064.....26	P-4042.....75
OBPS-113-RK-LL.....40	P-0078.....32	P-2070.....25	P-4043.....75
OBPS-114-RK-LL.....40	P-00213.....14, 22	P-2071.....25	P-4044.....75
OBPS-115-RK-LL.....40	P-00404.....9, 22	P-2072.....25	P-4045.....75
OBPS-118-RK-LL.....40	P-00405.....9	P-2073.....25	P-4150.....75
OBPS-121-RK.....41	P-00408.....9	P-2074.....25	P-4163.....22
OBPS-122-RK-KIT.....41	P-00411.....9	P-2075.....25	P-4164.....22
OBPS-123-RK.....41	P-00805.....22	P-2086.....26	P-4190.....75
OBPS-124-RK.....41	P-00908.....22	P-2087.....26	P-4191.....75
OBPS-200-C.....42	P-00910.....10, 22	P-2089.....26	P-4192.....75
OBPS-200-ORB.....42	P-00961.....22	P-2090.....25	P-4193.....75
OBPS-200-SN.....42	P-00991.....10, 43	P-2091.....25	P-4200.....75
OBPS-200-W.....42	P-00992.....10	P-3000.....29	P-4300.....75
OBPS-200-W-S.....42	P-1009.....30	P-3006.....66, 67	P-4400.....75
OBPS-300D-C.....42	P-1010.....30	P-3034.....29	P-06066.....10, 13, 15
OBPS-300D-W-S.....42	P-1011.....28	P-3035.....29	P-06068.....15, 19
OBPS-400D-W.....42	P-1039.....30	P-3036.....29	P-6101.....27
OBPS-400SD-W.....42	P-1040.....30	P-3037.....29	P-6102.....27
OBPS-400-W.....42	P-1059.....23	P-3044.....29	P-6103.....27
OBPS-500D-W.....43	P-1061.....23	P-3045.....29	P-6104.....27
OBPS-TOOL-1.....42	P-1062.....23	P-3046.....29	P-6150.....75
OBPS-TOOL-3.....42	P-1063.....23	P-3047.....29	P-6200.....75
OS40.....66, 67	P-1064.....23, 28	P-3048.....29	P-6201.....27
P-0002.....31	P-1065.....23	P-3049.....29	P-6202.....27
P-0003.....31	P-1066.....23	P-3050.....30	P-6203.....27
P-0004.....31	P-1067.....23, 28	P-3051.....30	P-6204.....27
P-0005.....31	P-1073.....23	P-3056.....30	P-06239.....19
P-0006.....31	P-1078-18.....9, 24, 43	P-3057.....30	P-06258.....19
P-0014.....31	P-1078-26.....9, 24, 43	P-3060.....30	P-06286.....15
P-0015.....31	P-1090.....24	P-3061.....30	P-06287.....15
P-0016.....31	P-1093.....24	P-3062.....30	P-06291.....15
P-0017.....31	P-1610.....29	P-3063.....30	P-06292.....15
P-0018.....31	P-1612.....29	P-3064.....30	P-06296.....19
P-0019.....31	P-1613.....29	P-3070.....66, 67	P-06300.....15, 75
P-0020.....31	P-1614.....29	P-3074.....66, 67	P-06301.....15, 27
P-0021.....31	P-1624-B.....28	P-3076.....66, 67	P-06302.....27
P-0029.....31	P-2001.....24	P-3079.....66, 67	P-06306.....44
P-0030.....31	P-2016.....23	P-3080.....66, 67	P-06307.....44
P-0031.....31	P-2017.....23	P-3092.....30	P-06314.....15
P-0032.....31	P-2018.....23	P-3301.....66, 67	P-06315.....15
P-0033.....32	P-2021.....23	P-3302.....66, 67	P-06316.....15
P-0034.....32	P-2025.....26	P-3303.....66, 67	P-06317.....15
P-0035.....32	P-2027.....26	P-3304.....66, 67	P-06318.....15

P-06319.....	15	P-09130-L.....	15	RF-0468-RK.....	77	RF-6011-RK.....	77
P-06335-WB.....	19	P-09130-R.....	15	RF-0475.....	78	RF-6110-RK.....	77
P-06337.....	15	P-09150-L.....	9	RF-0475-T.....	78	RF-6111-RK.....	77
P-06338.....	15	P-09150-R.....	9	RF-0476.....	78	RF-6702.....	81
P-06339-LL.....	19	P-09399.....	21	RF-0476-T.....	78	RF-60026.....	77
P-06365.....	48, 55	P-09719.....	21	RF-0750-CB.....	79	RF-60027.....	77
P-06370.....	15	P-09729.....	21	RF-0750-CP.....	79	RF-60044.....	81
P-06371.....	15	P-09739.....	21	RF-0750-MB.....	79	RF-60045.....	80
P-06393.....	21	P-09749.....	21	RF-0750-ORB.....	79	RFT-100-C.....	80
P-06398.....	21	P-09769.....	21	RF-0750-SN.....	79	RFT-101-C.....	80
P-6400.....	75	P-09800.....	19	RF-0750-VB.....	79	SBP-6036MF.....	37
P-06402.....	21	P-09810.....	19	RF-0760-CB.....	79	SFC-109-PP.....	52
P-06406.....	21, 43	P-09820.....	19	RF-0760-CP.....	79	SFC-112-PP.....	52
P-06407.....	21, 43	P-09821.....	19	RF-0760-MB.....	79	SFC-116-PP.....	52
P-06420.....	15	P-09829.....	21	RF-0760-SN.....	79	SFC-120-PP.....	52
P-06421.....	15	P-09830.....	19	RF-0760-VB.....	79	SFC-124-PP.....	52
P-06450.....	9, 21	P-09839.....	21	RF-0780-CB.....	79	SFC-130-PP.....	52
P-06451.....	21	P-09850.....	9	RF-0780-CP.....	79	SFC-136-PP.....	52
P-06452.....	9, 21	P-09859.....	21	RF-0780-MB.....	79	SFC-148-PP.....	52
P-6501.....	28	P-09869.....	21	RF-0780-ORB.....	79	SFC-312-PP.....	52
P-06522.....	49	P-09879.....	21	RF-0780-SN.....	79	SFC-320-PP.....	52
P-06550.....	21	P-09890.....	19	RF-0780-VB.....	79	SFC-412-PP.....	52
P-06551.....	21	P-09899.....	21	RF-0850-CP.....	79	SFC-416-PP.....	52
P-06618-BW.....	49	P-09950.....	9	RF-0850-ORB.....	79	SFC-420-PP.....	52
P-6701.....	27	P-10137-W/B.....	28	RF-0850-SN.....	79	SFC-424-PP.....	52
P-06706.....	45	P-10140.....	28	RF-0910.....	77	SFC-430-PP.....	52
P-6721.....	28	P-40429.....	25	RF-0916.....	77	SFC-436-PP.....	52
P-6730.....	28	P-40433.....	25	RF-0929.....	77	SFC-448-PP.....	52
P-06735.....	43, 45	P-40434.....	25	RF-0934.....	77	SFC-506-PP.....	52
P-06878-LL.....	43	P-40435.....	25	RF-0950-CB.....	79	SFC-509-PP.....	52
P-06881.....	43	P-40436.....	25	RF-0950-CP.....	79	SFC-512-PP.....	52
P-06915.....	43	P-70823.....	73	RF-0950-MB.....	79	SFC-516-PP.....	52
P-06921.....	43	P-70825.....	73	RF-0950-ORB.....	79	SFC-520-PP.....	52
P-06923.....	43	P-70826.....	73	RF-0950-SN.....	79	SFC-524-PP.....	52
P-06928.....	43	PPC-118-PP.....	55	RF-0950-VB.....	79	SFC-530-PP.....	52
P-06930.....	43	PPC-124-PP.....	55	RF-0960-CB.....	79	SFC-536-PP.....	52
P-06979-LL.....	43	PV-100.....	49	RF-0960-CP.....	79	SFC-548-PP.....	52
P-7123.....	75	PV-DW160.....	49	RF-0960-MB.....	79	SFC-560-PP.....	52
P-8001.....	24	PV-FC112.....	49	RF-0960-ORB.....	79	SFC-572-PP.....	52
P-8003.....	24	PV-FC116.....	49	RF-0960-SN.....	79	SFF-120-PP.....	52
P-8006.....	24	PV-FC120.....	49	RF-0960-VB.....	79	SFF-10012.....	55
P-8007.....	24	PV-FC130.....	49	RF-0980-CB.....	79	SFF-10018.....	55
P-8014.....	24	PV-IM172.....	49	RF-0980-CP.....	79	SFF-10024.....	55
P-8034.....	75	PV-WC112.....	49	RF-0980-MB.....	79	SFF-10036.....	55
P-8103.....	24	PV-WC116.....	49	RF-0980-ORB.....	79	SPF-100.....	36
P-8107.....	24	PV-WC120.....	49	RF-0980-SN.....	79	SWC-109-PP.....	53
P-8114.....	24	R-1278.....	65	RF-0980-VB.....	79	SWC-112-PP.....	53
P-8123.....	75	R-60040.....	81	RF-1154-CR.....	78	SWC-116-PP.....	53
P-9034.....	75	R-60041.....	81	RF-1154-SN.....	78	SWC-120-PP.....	53
P-09050-L.....	9	RF-0364.....	78	RF-1155-CR.....	78	SWC-412-PP.....	53
P-09050-R.....	9	RF-0364-T.....	78	RF-1155-SN.....	78	SWC-416-PP.....	53
P-09100-L.....	15	RF-0376.....	78	RF-1164-CR.....	78	SWC-512-PP.....	53
P-09100-R.....	15	RF-0376-T.....	78	RF-1165-CR.....	78	SWC-516-PP.....	53
P-09110-L.....	15	RF-0465.....	78	RF-1287.....	81	SWC-520-PP.....	53
P-09110-R.....	15	RF-0466.....	78	RF-03136.....	81	T-0020.....	70
P-09120-L.....	15	RF-0467.....	78	RF-6010-LT.....	78	T-0022.....	70
P-09120-R.....	15	RF-0467-RK.....	77	RF-6010-RK.....	77	T-0024.....	70
P-9123.....	75	RF-0468.....	78	RF-6011-LT.....	78	T-0050.....	70

T-0052.....	70	TP6042-16.....	37	WAS-360-PP.....	54	WMSP-1U.....	36
T-0054.....	70	TP6042-16-NF.....	37	WAS-372-PP.....	54	WSS-112-PP.....	50
T-0082.....	71, 72	V-001-A-LL.....	44	WAS-448-PP.....	54	WSS-118-PP.....	50
T-0083.....	71, 72	V-100-A-LL.....	44	WAS-460-PP.....	54	WSS-124-PP.....	50
T-0084.....	71, 72	V-100-S-LL.....	44	WAS-472-PP.....	54		
T-0200.....	73, 74	V-101-A-LL.....	44	WAS-496-PP.....	54		
T-0202.....	73, 74	V-101-S-LL.....	44	WCP-112-PP.....	51		
T-0204.....	73, 74	V-102-A-LL.....	44	WCP-118-PP.....	51		
T-0206.....	73, 74	V-102-S.....	44	WCP-124-PP.....	51		
T-0210.....	73, 74	V-102-S-LL.....	44	WCP-212-PP.....	51		
T-0211.....	73, 74	V-103-A.....	44	WCP-218-PP.....	51		
T-0300.....	73, 74	V-103-A-LL.....	44	WCP-224-PP.....	51		
T-0301.....	73, 74	V-103-S.....	44	WCP-318-PP.....	51		
T-0303.....	73, 74	V-103-S-LL.....	44	WCS-112-PP.....	50		
T-0305.....	73	V-104-A.....	44	WCS-118-PP.....	50		
T-0306.....	73	V-104-A-LL.....	44	WCS-124-PP.....	50		
T-0307.....	73	V-104-S.....	44	WCS-312-PP.....	50		
T-0310.....	73	V-104-S-LL.....	44	WCS-318-PP.....	50		
T-0318.....	73, 74	V-105-A-LL.....	44	WCS-324-PP.....	50		
T1000.....	34	V-105-S-LL.....	44	WCS-418-PP.....	50		
T1000-XD.....	34	V-107-A-LL.....	44	WCS-424-PP.....	50		
T1005.....	35	V-108-A-LL.....	44	WCS-518-PP.....	50		
T1007.....	35	V-108-S-LL.....	44	WCS-524-PP.....	50		
T1010.....	35	V-401-A.....	44	WCS-718-PP.....	50		
T1015.....	35	V-401-A-LL.....	44	WCS-724-PP.....	50		
T1020.....	35	V-401-S.....	44	WCS-818-PP.....	50		
T1025.....	34	V-401-S-LL.....	44	WCS-824-PP.....	50		
T1050.....	34	V-402-A.....	44	WCS-924-PP.....	50		
T1050-LL.....	35	V-402-A-LL.....	44	WCSV-518-PP.....	50		
T1050-LLTT.....	35	V-402-S.....	44	WCSV-524-PP.....	50		
T1050-XD.....	34	V-402-S-LL.....	44	WCSV-818-PP.....	50		
T1057.....	35	V-500-A-LL.....	44	WCSV-918-PP.....	50		
T1065.....	34	V-500-S-LL.....	44	WCSV-924-PP.....	50		
T1065-L.....	34	V-750-S.....	44	WFC-118-PP.....	51		
T1065-XD.....	34	V-2000-S-LL.....	44	WFC-124-PP.....	51		
T1075.....	34	VDW-672-NE.....	55	WFC-518-PP.....	51		
T1075-DR.....	35	VDW-672-PP.....	55	WFC-524-PP.....	51		
T1075-DRTT.....	35	VDW-972-PP.....	54	WFF-118-PP.....	51		
T1075-XD.....	34	VE-101-A-LL.....	45	WFF-124-PP.....	51		
T-6002.....	69	VE-101-S-LL.....	45	WHC-118-PP.....	51		
T-6003.....	69	VE-103-A-LL.....	45	WHC-518-PP.....	51		
T-6004.....	69	VE-103-S-LL.....	45	WHC-524-PP.....	51		
T-6102.....	69	VE-104-A-LL.....	45	WHF-124-PP.....	51		
T-6103.....	69	VE-104-S-LL.....	45	WHJ-2118-PP.....	51		
T-6104.....	69	VF-116-PP.....	52	WHL-2118-PP.....	51		
T-7241.....	73	VF-120-PP.....	52	WHP20-1D.....	36		
TFC-109-PP.....	52	VF-124-PP.....	52	WHP20-1U.....	36		
TFC-112-PP.....	52	VF-130-PP.....	52	WHP22-1D.....	36		
TFC-116-PP.....	52	VF-316-PP.....	52	WHP22-1U.....	36		
TFC-120-PP.....	52	VT-112-PP.....	53	WHP24-1D.....	36		
TP6030-14.....	37	VT-116-PP.....	53	WHP24-1U.....	36		
TP6030-14-B.....	37	VT-512-PP.....	53	WHP26-1D.....	36		
TP6030-14-NF.....	37	WAS-148-PP.....	54	WHP26-1U.....	36		
TP6030-14-NF-B.....	37	WAS-160-PP.....	54	WHP28-1D.....	36		
TP6030-16.....	37	WAS-172-PP.....	54	WHP28-1U.....	36		
TP6030-16-B.....	37	WAS-174-B.....	54	WHP30-1U.....	36		
TP6030-16-NF.....	37	WAS-196-B.....	54	WMFA-160-PP.....	48		
TP6030-16-NF-B.....	37	WAS-348-PP.....	54	WMSP-1D.....	36		





**2727 Chemsearch Blvd., Irving, Texas 75062**

**Phone: (800) 854-3215 | Fax: (800) 243-1777 | [LSPproducts.com](http://LSPproducts.com) | [CustomerService@LSPproducts.com](mailto:CustomerService@LSPproducts.com)**

LIT\_CATALOG